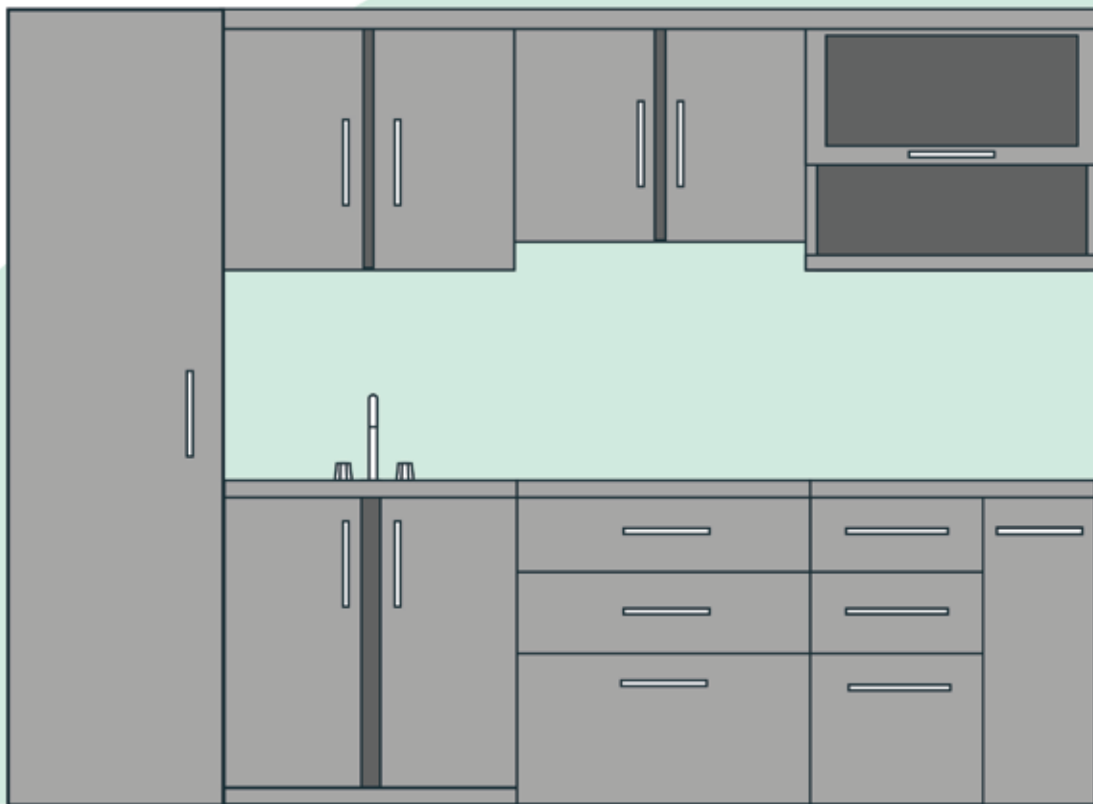


2023

dorsët
we understand

INWAY
The Smart Way



**Furniture Fittings
& Kitchen Hardware**



 **WAVE SWING TRAY**



 **WAVE MAGIC CORNER**



 **WAVE 3/4 CORNER CAROUSEL**



 **TU PULL OUT LADDER PANTRY**



 **TU PANTRY DUO**



 **BIN WASTE BIN 14 LTR**



 **FORM CUTLERY TRAY**



 **FORM GLASS TRAY PLATE TRAY**

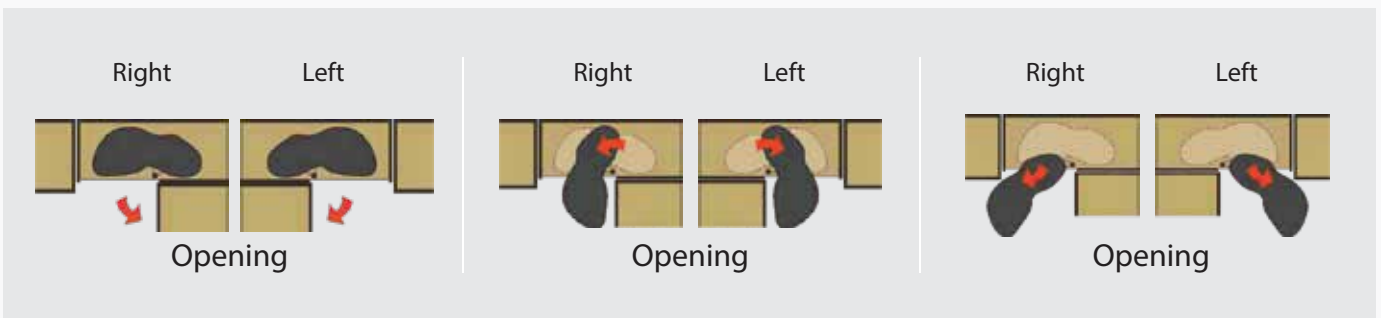


 **BOX BOTTLE PULL OUT**

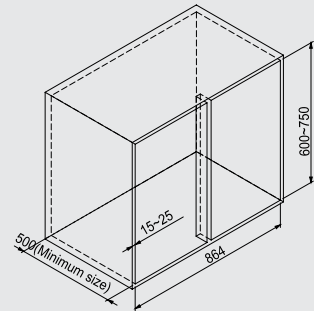
WAVE - SWING TRAY



- ▶ Optimum utilization of corner Space
- ▶ Two Shelves for more space to accommodate larger utensils
- ▶ Independent opening of Single Tray
- ▶ In Built Soft Close mechanism.
- ▶ Height Adjustable Mechanism
- ▶ Finish Chrome Plating with Anthracite Anti-Skid Base
- ▶ Weight Capacity : 15 Kg per tray
- ▶ Minimum 450mm Door Width Required
- ▶ Available in Left and Right Mechanism
- ▶ Minimum Suitable cabinet size:
600~750 x 900 x 500mm (H x W x D)



Code	MRP
IWAVESTL	21,252
IWAVESTR	21,252

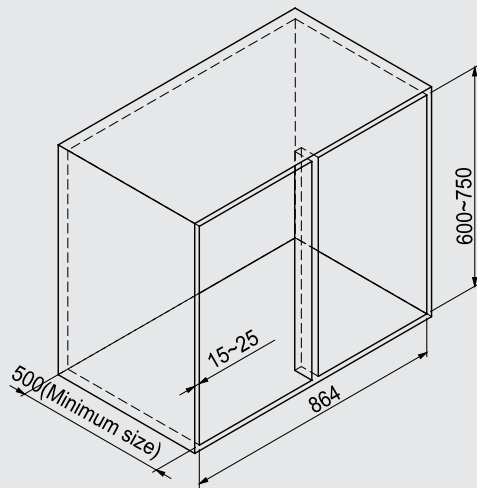


ACCESSORIES LIST

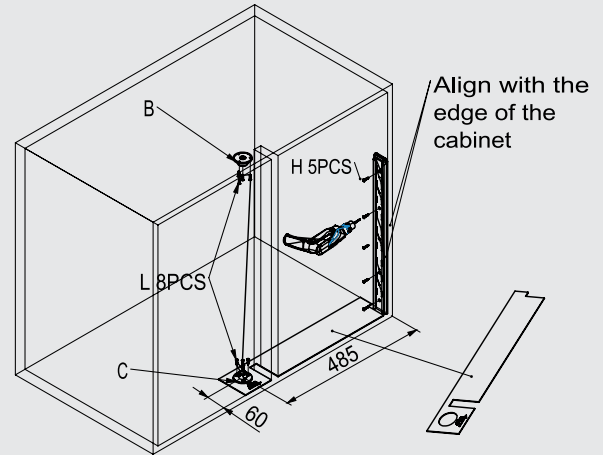
A.2PCS 	B.1PCS 	C.1PCS 	D.1PCS 	E.1PCS 	F.2PCS 			
G.2PCS 	H.5PCS 	I.2PCS 	J.2PCS 	K.2PCS 	L.8PCS 	M.2PCS 	N.1PCS 	P.4PCS

BOX DIMENSIONS & INSTALLATIONS (RIGHT)

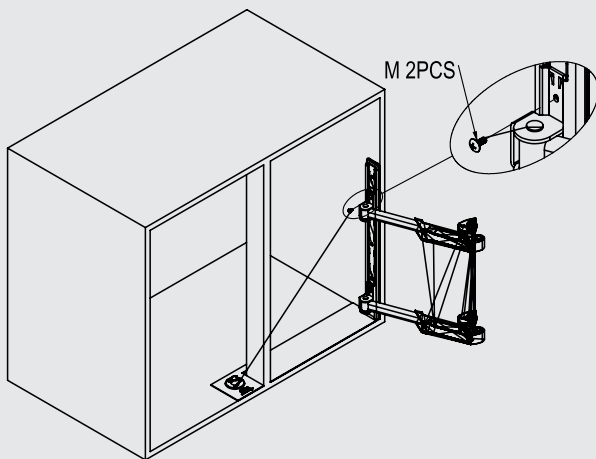
Choose the right cabinet



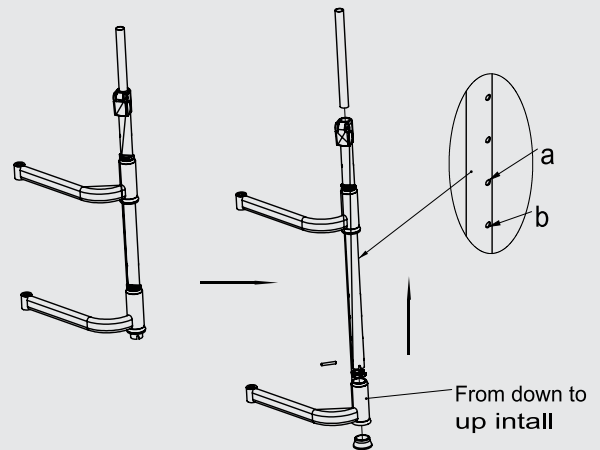
Mounting accessories B/C/N



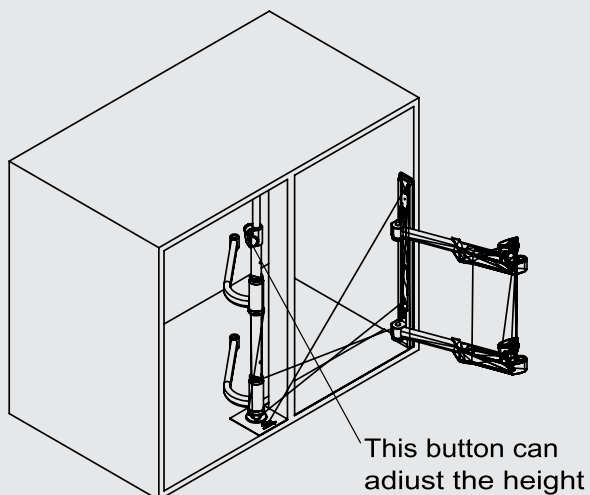
Installation of straight swing rod



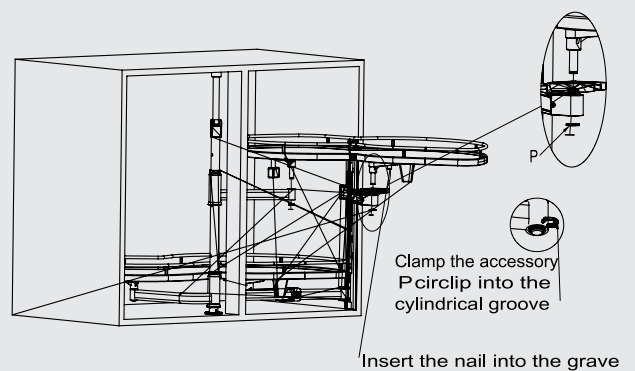
Installation of curved swing rod



Tube installation

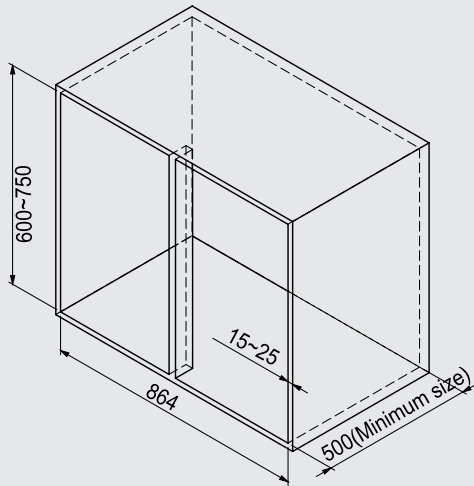


Basket installation

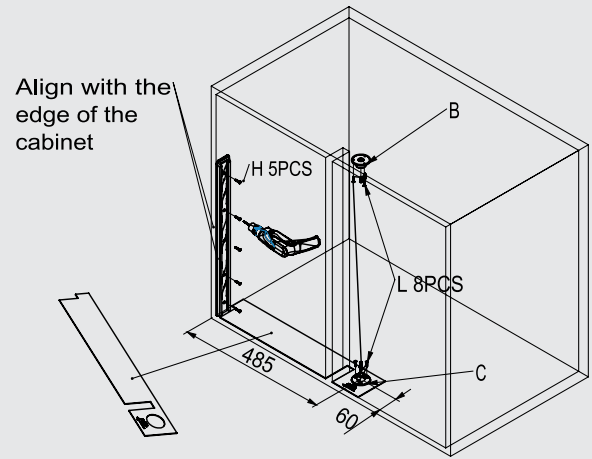


BOX DIMENSIONS & INSTALLATIONS (LEFT)

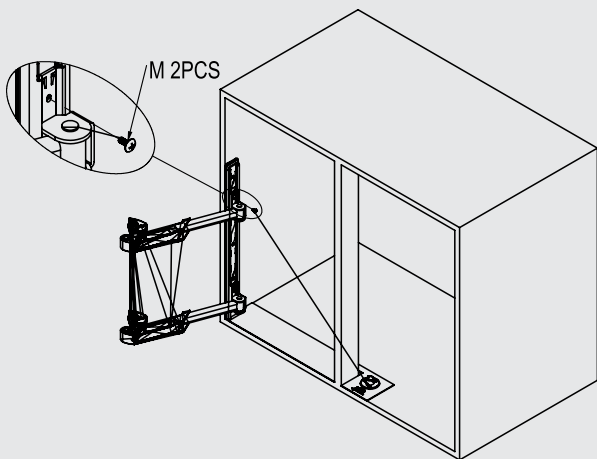
Choose the right cabinet



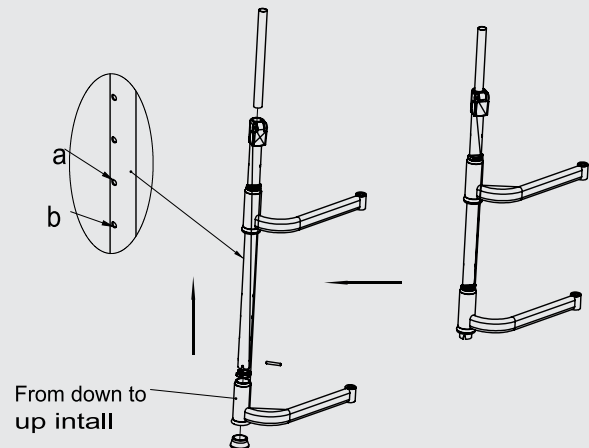
Mounting accessories B/C/N



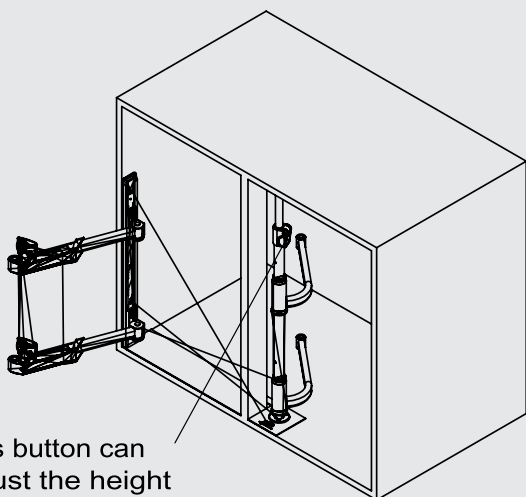
Installation of straight swing rod



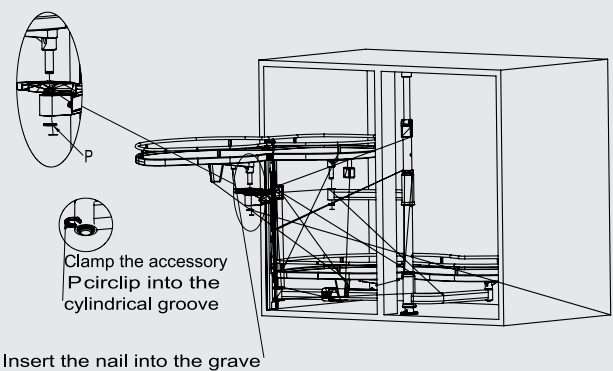
Installation of curved swing rod



Tube installation



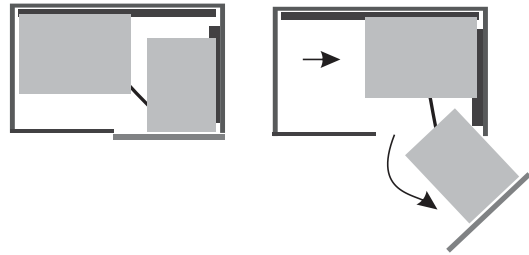
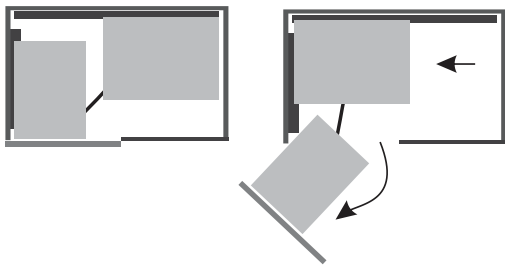
Basket installation



WAVE MAGIC CORNER

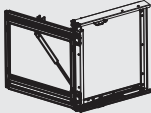













- ▶ Optimum utilization of corner Space
- ▶ Auto slide for back basket
- ▶ Two Shelves for more space to accommodate larger utensils
- ▶ In Built Soft Close mechanism.
- ▶ Height Adjustable Mechanism
- ▶ Finish Stainless steel with Anthracite Anti-Skid Base
- ▶ Weight Capacity : 7 Kg per Basket
- ▶ Minimum 450mm Door Width Required
- ▶ Available in Left and Right Mechanism
- ▶ Minimum Suitable cabinet size:
600~750 x 900 x 500mm (H x W x D)

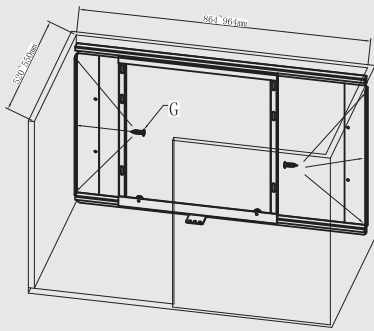


Left		Right	
Code	MRP	Code	MRP
IWAVEMCFL12	19,764	IWAVEMCFR12	19,764
IWAVEMCBL22	10,642	IWAVEMCBR22	10,642

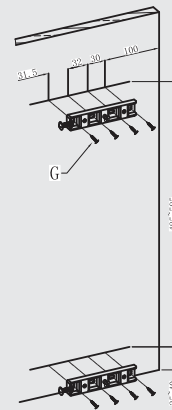
ACCESSORIES LIST

 A 1 PC	 B 1 PC	 C 1 PC	 D 1 PC	 E 2 PCS	 F 2 PCS
 G 38 PCS	 H 2 PCS	 I 1 PC	 J 1 PC	 K 2 PCS	 L 2 PCS

BOX DIMENSIONS & INSTALLATIONS (LEFT)

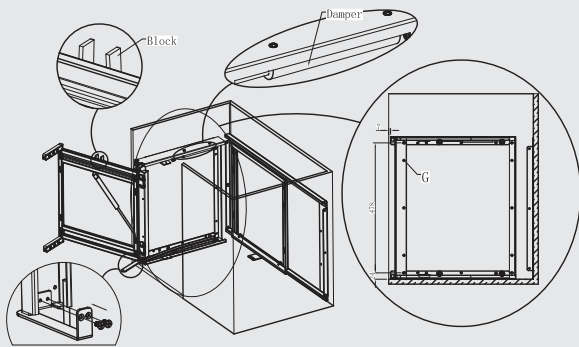


①

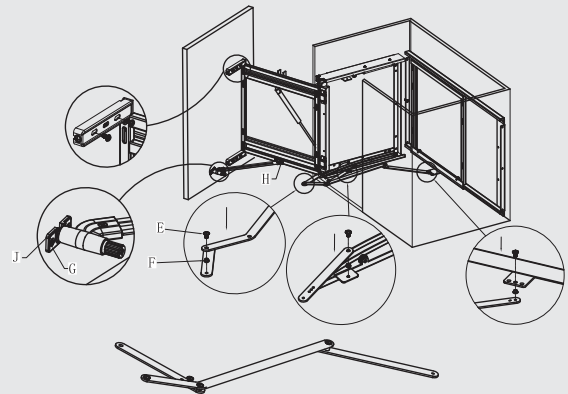


②

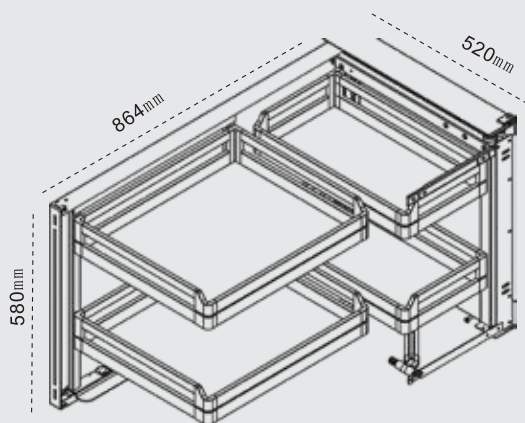
The damper and the block should be installed at the correct position when the product is assembling in different directions as shown below:



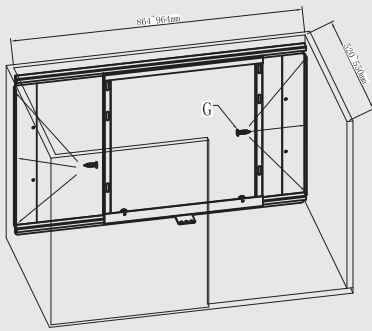
③



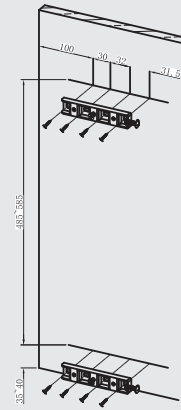
④



BOX DIMENSIONS & INSTALLATIONS (RIGHT)

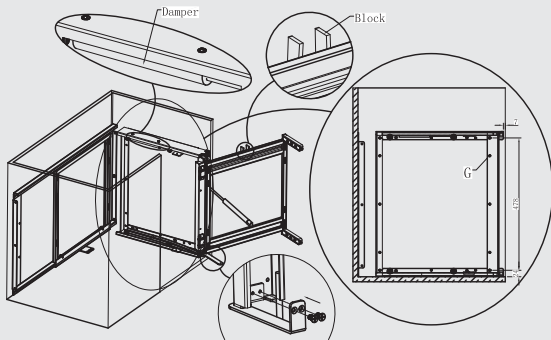


①

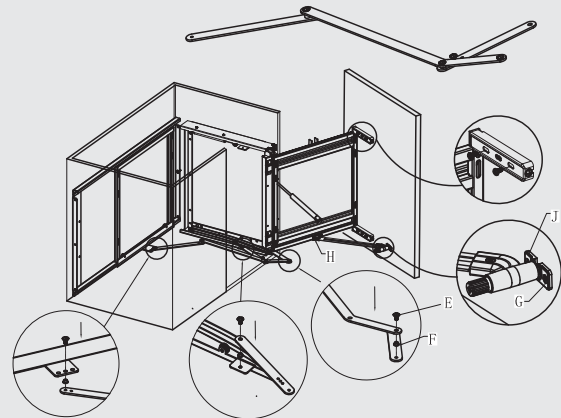


②

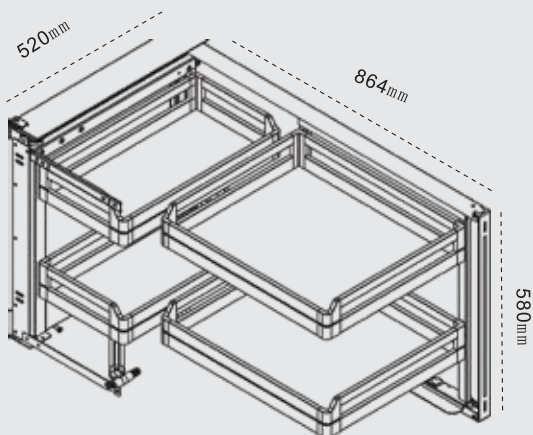
The damper and the block should be installed at the correct position when the product is assembling in different directions as shown below:



③



④

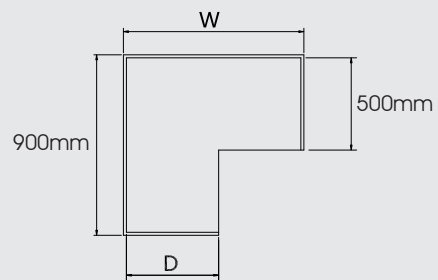


WAVE 3/4 CORNER CAROUSEL

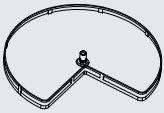




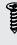


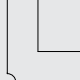


- ▶ Optimum Utilization of corner Space
- ▶ Independent and free Rotating Tray
- ▶ Two Shelves for more space to accommodate larger utensils
- ▶ Diameter of Carousel: 710 mm
- ▶ Height Adjustable Mechanism
- ▶ Finish Chrome Plating with Anthracite Anti-Skid Base
- ▶ Weight Capacity : 15 Kg per tray
- ▶ Minimum 400mm Door Width Required
- ▶ Can be installed in Both Left and Right Corner
- ▶ Minimum Suitable cabinet size:
600~750 x 900 x 500mm (H x W x D)

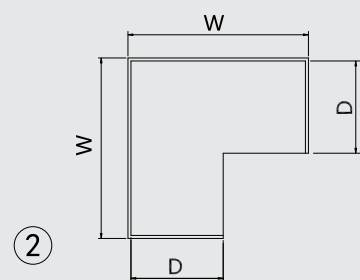
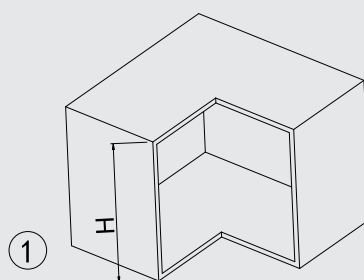
Code	MRP
IWAVECC	9,470



ACCESSORIES LIST

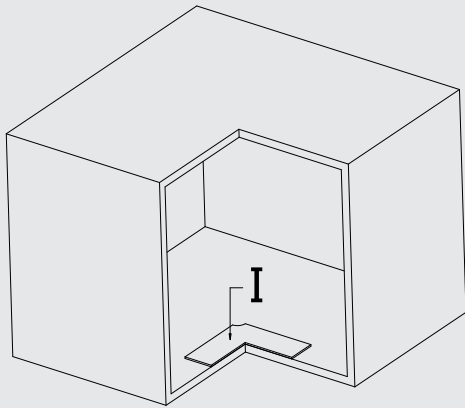
A 2pcs 	B 1pcs 	C 2pcs 	D 1pcs 	E 1pcs 
F 6pcs 	G 2pcs 	H 2pcs 	I 1pcs 	

Cabinet size	Depth(D)	Width(W)	Height(H)
900-1000	≥ 500	900-1000	600-750



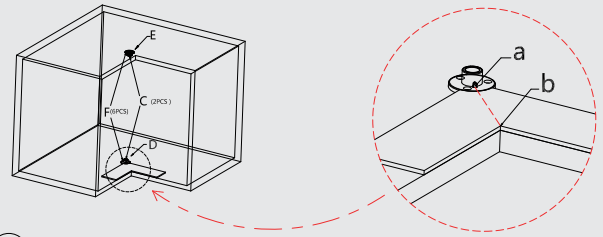
BOX DIMENSIONS & INSTALLATIONS

③



Align the paper pattern to the edge of cabinet as pic③, and fasten the part D,E as pic④, please note that a&b must be align with each other.

④

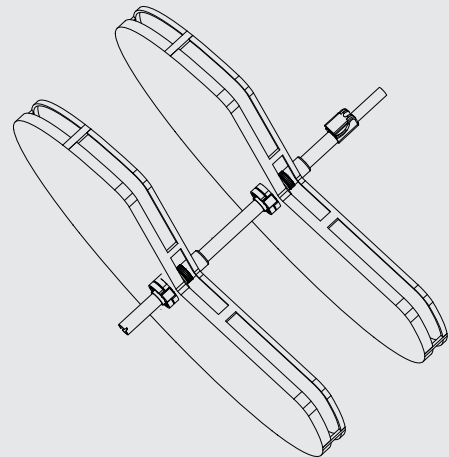


4. Fasten parts G,H,A on B in turn as pic⑤⑥.

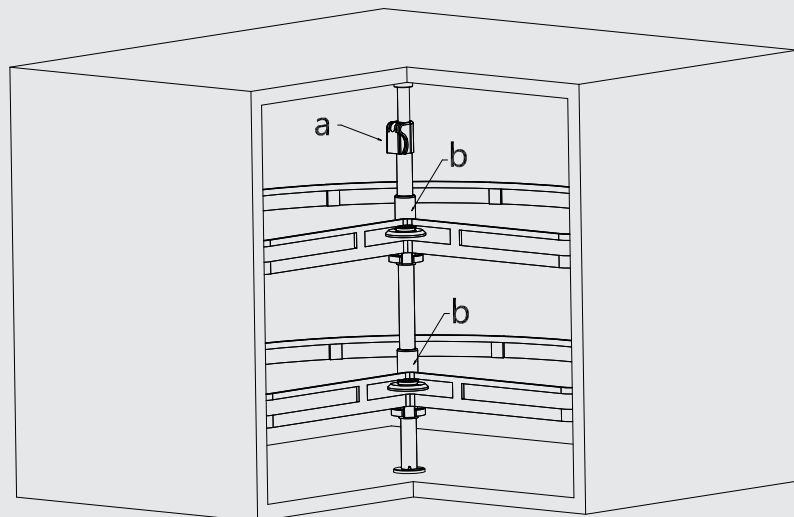


⑤ Fasten the parts a&b on pic⑦
Size specification: Diameter: 710mm,
CABINET WIDTH: 800mm

⑥



⑦



TU PULL OUT LADDER PANTRY



TU PULL OUT LADDER PANTRY



- ▶ Optimal Utilization of space with larger storage area.
- ▶ No. Of Baskets 6
- ▶ Available in 400mm Width Size
- ▶ In Built Soft Close mechanism.
- ▶ Height Adjustable
- ▶ Finish Stainless steel with Anthracite Anti-Skid Base
- ▶ Weight Capacity : 8 Kg per Basket
- ▶ Single Auto slide mechanism
- ▶ Bottom Runner with Full Extension

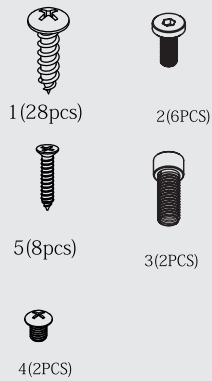
Code	MRP
ITUPOLPF13	15,309
ITUPOLPBR23	4,593
ITUPOLPB33	10,716

Listing of parts:

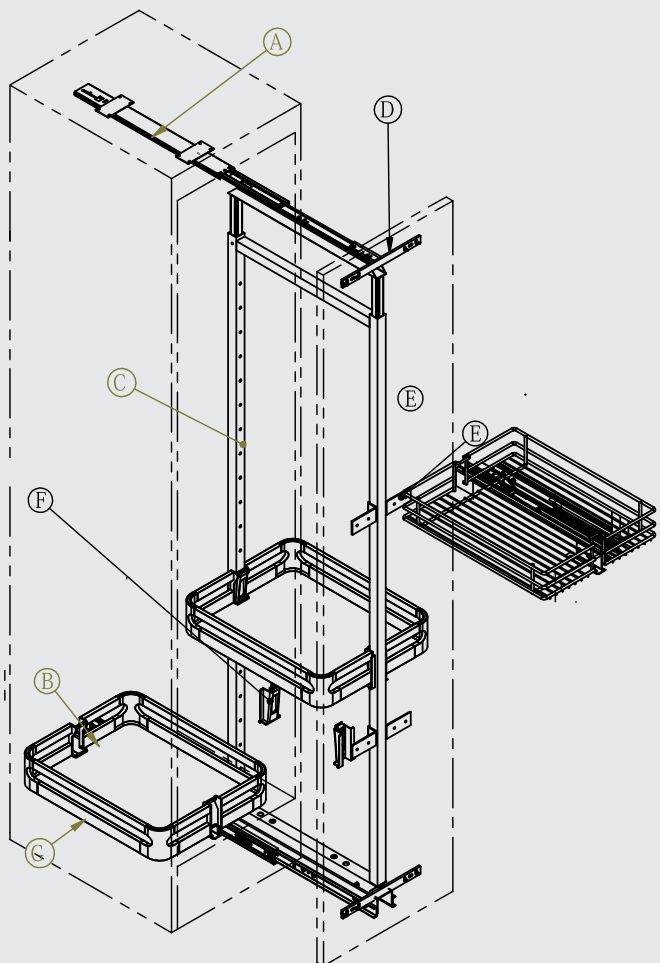
- A. top runner
- B. bottom runner
- C. main frame
- D. T-bar
- E. saddle-backed stabilizer
- F. pothook

Assembly listing of screw:

1. ST4*14 pan head wood screw 28PCS:
8PCS use for fixing top runner on the top board of the cabinet.
8PCS use for fixing bottom runner on the bottom board of cabinet.
12PCS use for fixing T-bar to the door board.
8PCS use the saddle-backed stabilizer.
2. 6PCS M6*15 use for connecting and adjusting discreteness of door board
3. 2PCS M8*20 use for adjusting on the door
4. 2PCS M6*10 use for adjusting the main frame

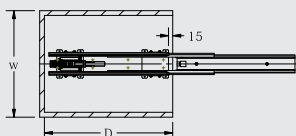


ACCESSORIES LIST

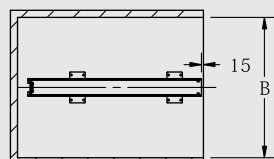


Fixing step

1. Fix the bottom runner by using ST4*14 pan head wood screw 8PCS to fix up.

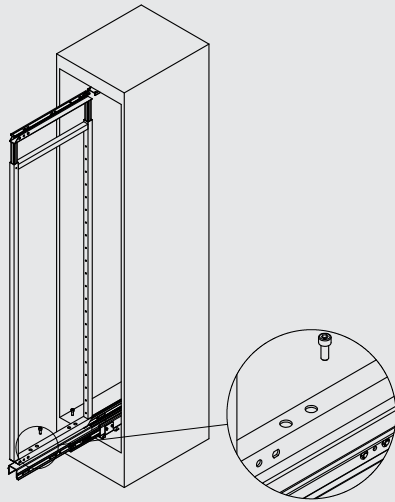


2. Fixing the top runner by using ST4*14 pan head wood screw 12pcs to fix up

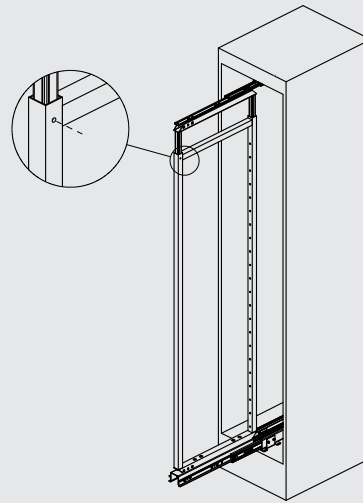


BOX DIMENSIONS & INSTALLATIONS

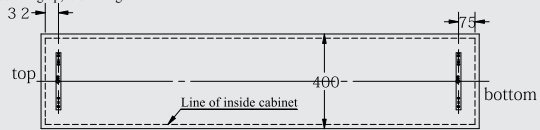
3. Fix the frame(c) to the bottom runner(B)



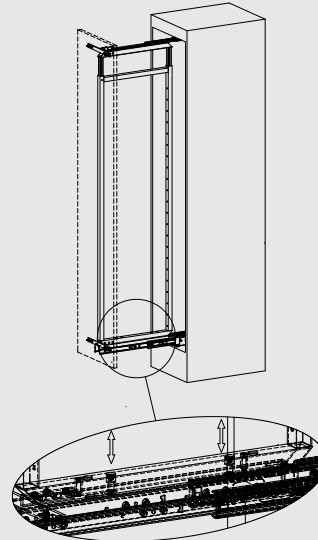
4. Fixing the frame(c) adjust the frame to the suitable height and fix it up by 2pcs M6*10



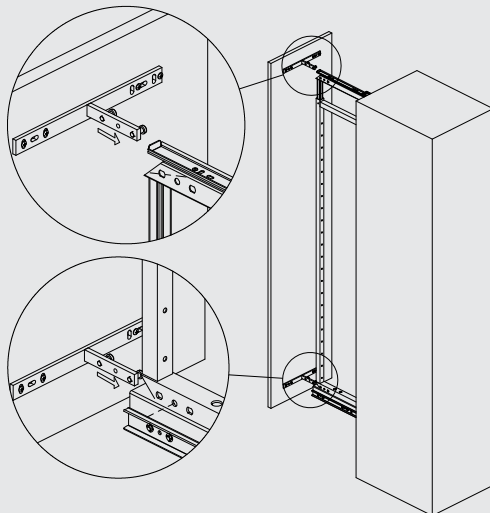
5. Fixing the T-bar using ST4*14 pan head wood screw
8pcs fixing up, as drawing.



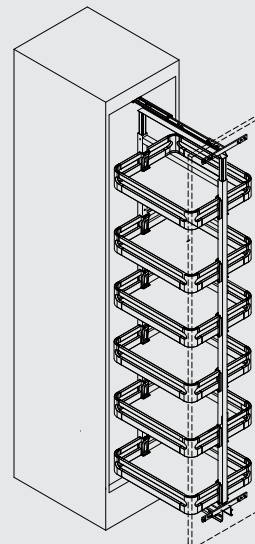
6. Adjust the door by adjust the screws drawing.



6. Fixing saddle-backed stabilizer(c) to the door by ST4*14 pan head wood screws, as drawing.



7. After Installation



TU PANTRY DUO





- ▶ Optimal Utilization of space with larger storage area.
- ▶ 6+6 Basket for Better Utility and Ease of Access
- ▶ Available in 450mm and 600mm Width Size
- ▶ In Built Soft Close mechanism
- ▶ Height Adjustable Mechanism
- ▶ Finish Stainless Steel with Anthracite Anti-Skid Base
- ▶ Weight Capacity:
 - Cabinet: 5 Kg per Basket | Shutter: 3Kg per Basket
- ▶ Auto Slide Mechanism to Bring Back Baskets to front On Opening
- ▶ Can Be installed with Both Reft of Right Opening

450MM	
Code	MRP
ITUPD450F12	21,132
ITUPD450B22	11,379

600MM	
Code	MRP
ITUPD600F12	24,962
ITUPD600B22	13,441

ACCESSORIES LIST

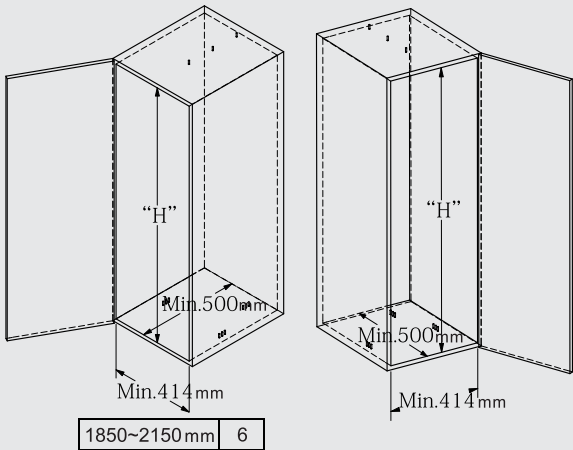
1、 Product Accessories:

A 1PCS 	B 1PCS 	C 1SET 	D 2PCS 	E 2PCS 	F 2PCS 	H 1PCS
I 2PCS 	J 2PCS 	K nPCS 	L nPCS 	M 4PCS 		
N 2PCS 	O 6PCS 	P 6PCS 	Q 20PCS 	R 10PCS 	S 3PCS 	T 4PCS

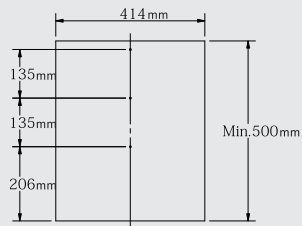
Notes:K & L can choose stainless steel basket or chromed basket.

BOX DIMENSIONS & INSTALLATIONS

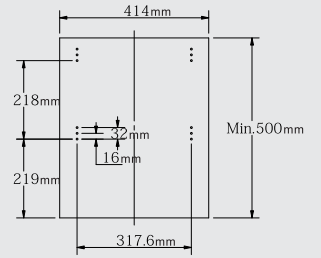
2. Suitable cabinet size: D500*W450*H(inner height): can be installed on left or right



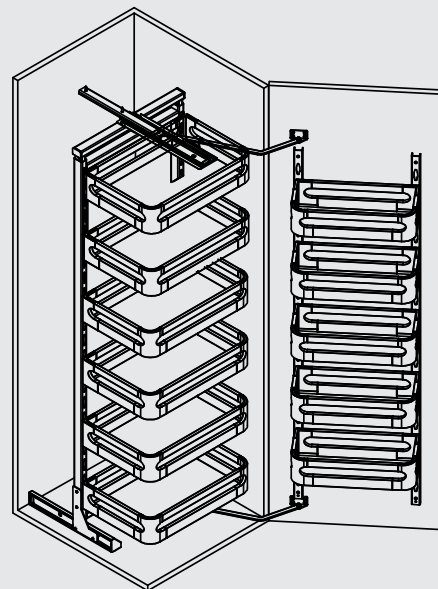
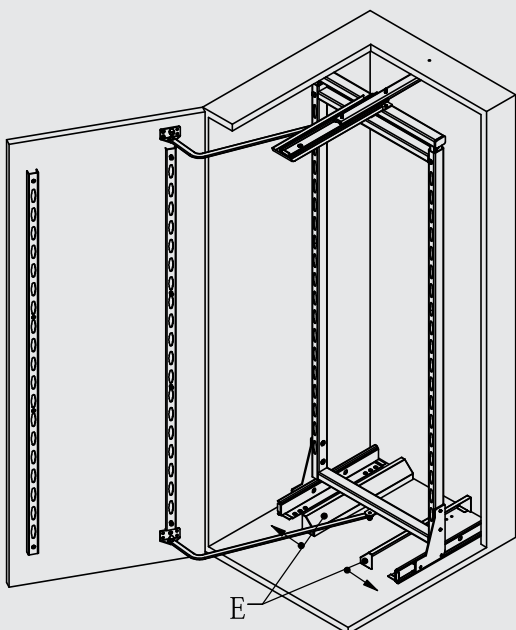
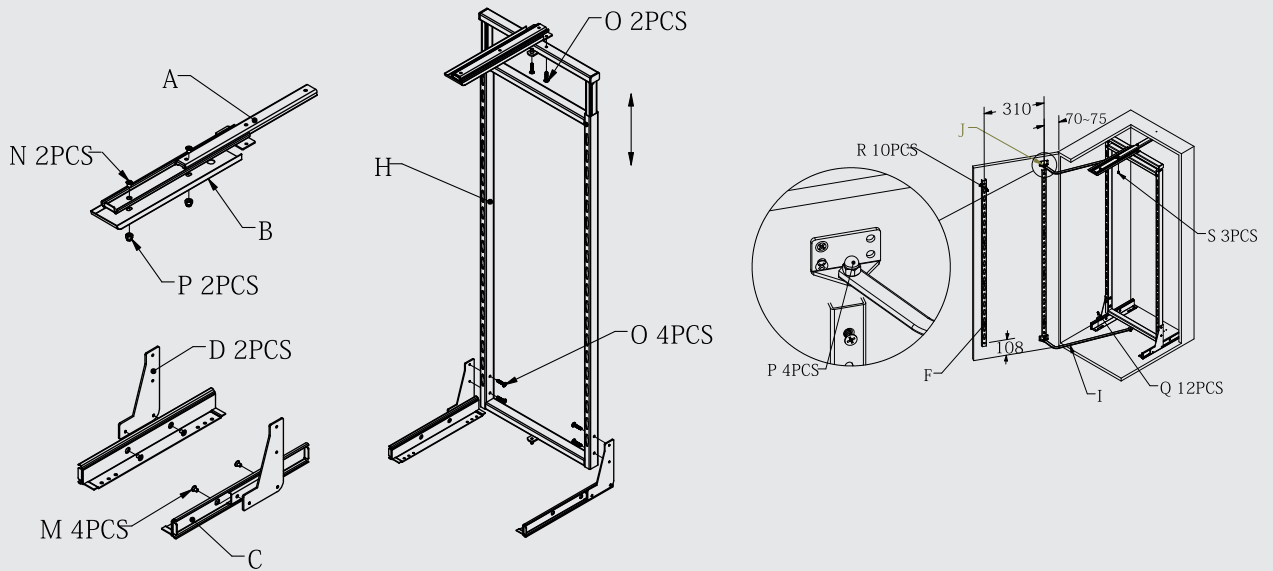
3. Installation procedure left for example
(1). Top cabinet board mounting hole location



(2). Bottom cabinet board mounting hole location:



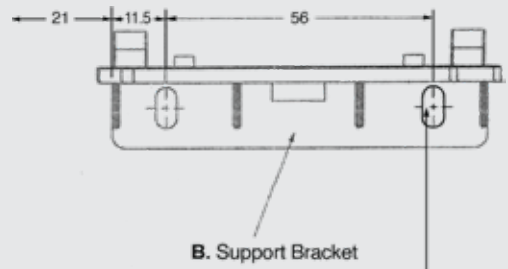
(3). Installation of accessories :



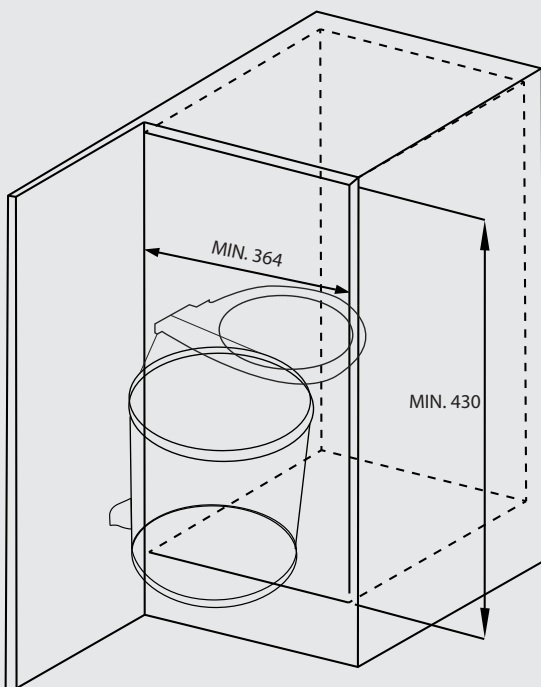


- ▶ Covered Bin to Maintain Hygiene of Your Kitchen
- ▶ Finish: Stainless Steel
- ▶ Capacity: 14 Ltrs
- ▶ Swing Out Function for ease of Use
- ▶ Also Designed to be installed in undersink cabinets
- ▶ Removable Plastic Container for easy disposal of Waste and empty the Bin

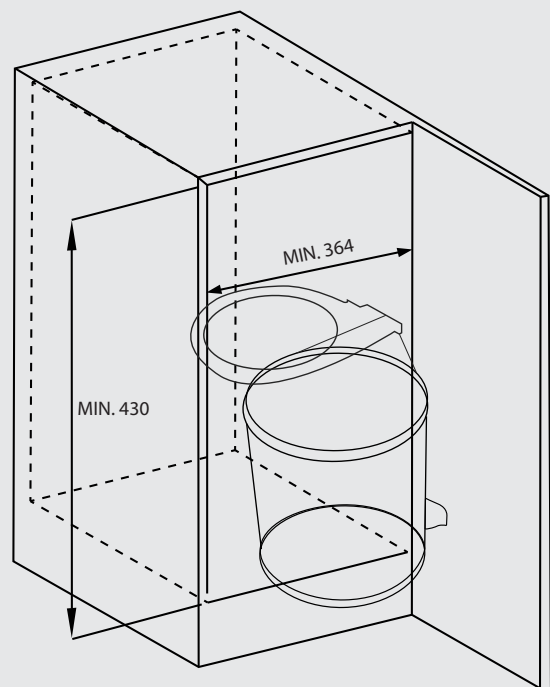
Code	MRP
IBIN14L	3,260



Left



Right

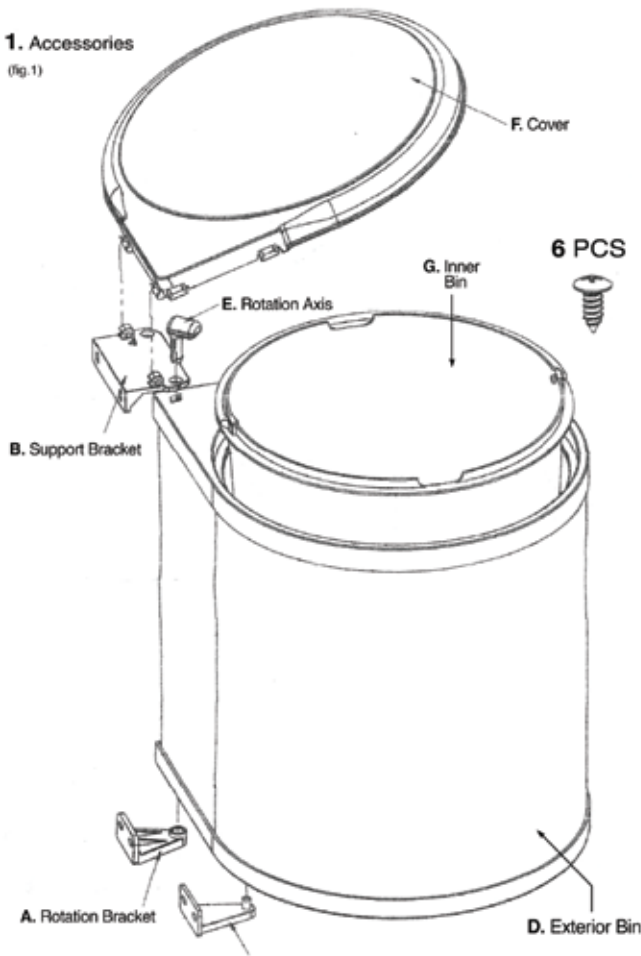


BOX DIMENSIONS & INSTALLATIONS (LEFT)

Stainless Steel Dust Bin 14L (left)

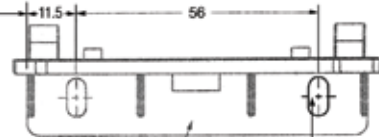
1. Accessories

(fig.1)



3. Installation Steps

- 1) Use this mould to align its **A** and **B** lines to the cabinet sides **A** and **B** (fig.2) and drill fixing holes.
- 2) Install in sequence accessories **A**, **B** and **C**. (fig.1)
- 3) Install the bottom of accessory **D** into the hole of accessory **A** while at the same time, insert the cylinder of accessory **C** into the groove on the bottom of accessory **D**. Then the accessory **E** should be inserted into the holes of accessory **B** and **D**. Open and close the cabinet door to check whether it is functioning smoothly.
- 4) Fix accessory **F** onto accessory **B**, then open and close the cabinet door to check whether accessory **F** open smoothly and close tightly.
- 5) Put accessory **G** into the dustbin and the installation is completed.



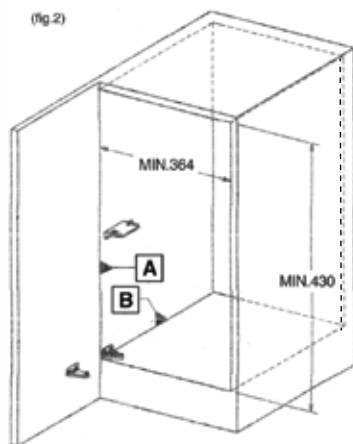
B. Support Bracket

A into

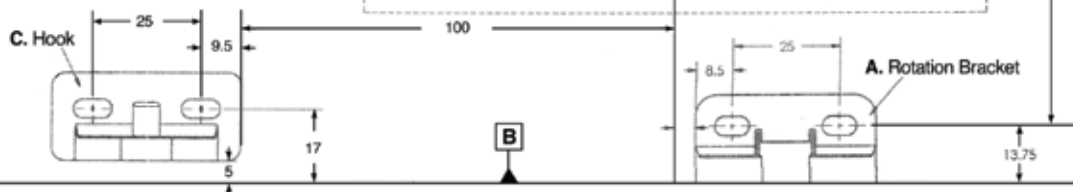
The distance between Rotation Bracket and Support Brackets is **292mm**

2. Adaptable Cabinet

(fig.2)



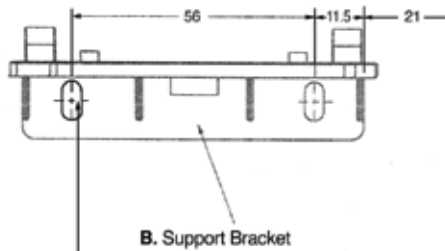
Cut along the dotted line for the position of the hinges



BOX DIMENSIONS & INSTALLATIONS (LEFT)

3. Installation Steps

- 1) Use this mould to align its **A** and **B** lines to the cabinet sides **A** and **B** (fig.2) and drill fixing holes.
- 2) Install in sequence accessories **A**, **B** and **C**. (fig.1)
- 3) Install the bottom of accessory **D** into the hole of accessory **A** while at the same time, insert the cylinder of accessory **C** into the groove on the bottom of accessory **D**. Then the accessory **E** should be inserted into the holes of accessory **B** and **D**. Open and close the cabinet door to check whether it is functioning smoothly.
- 4) Fix accessory **F** onto accessory **B**, then open and close the cabinet door to check whether accessory **F** open smoothly and close tightly.
- 5) Put accessory **G** into the dustbin and the installation is completed.

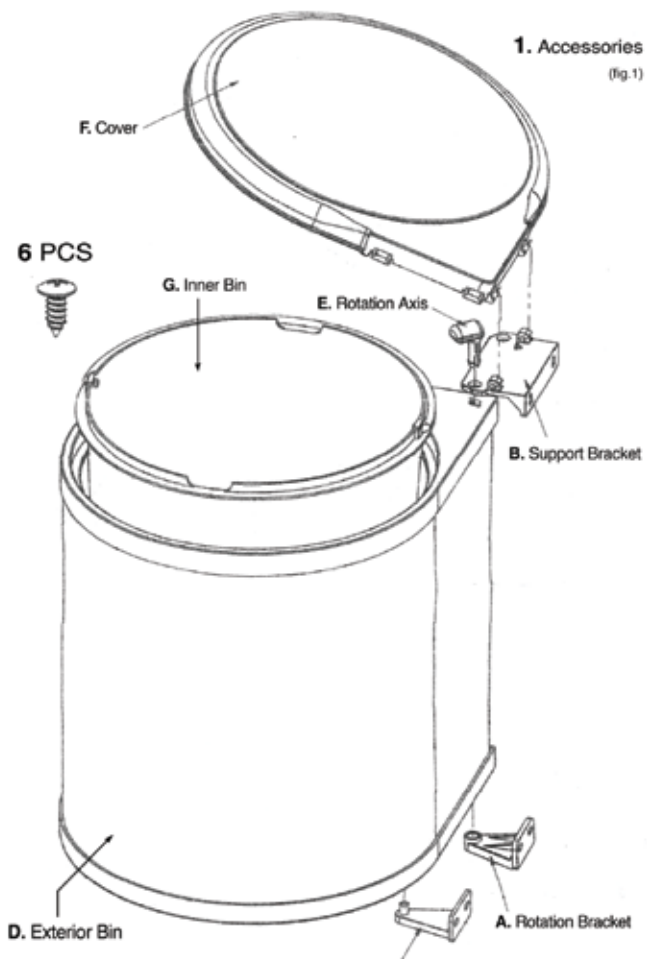


into **A**

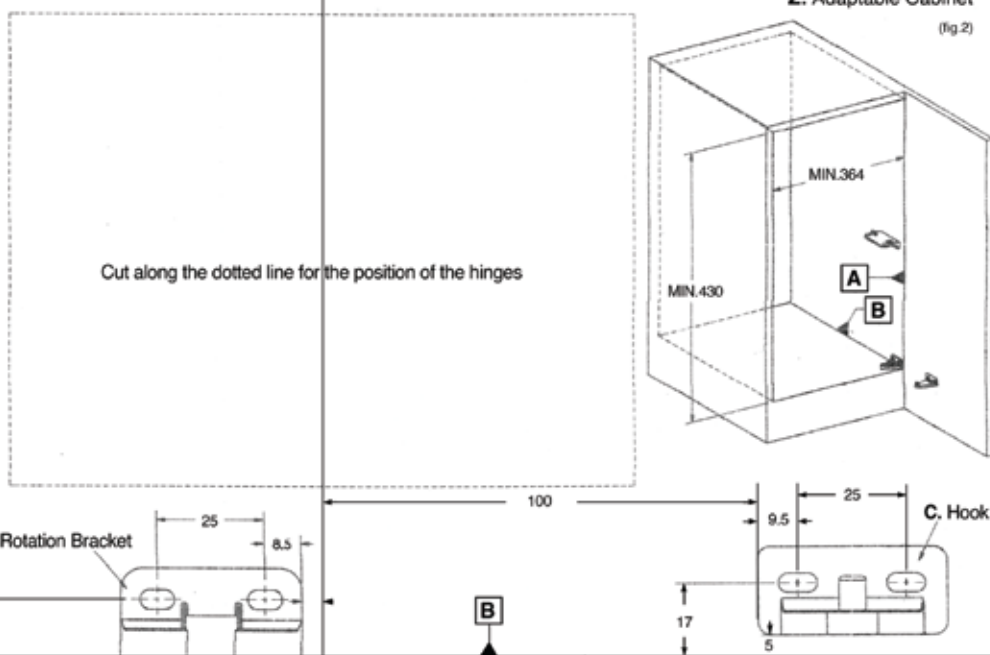
The distance between Rotation Bracket and Support Brackets is **292mm**

Stainless Steel Dust Bin 14L (right)

1. Accessories (fig.1)



2. Adaptable Cabinet (fig.2)



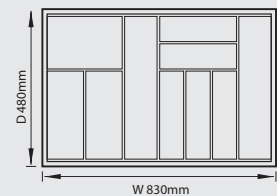
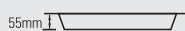
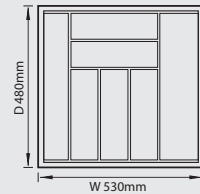
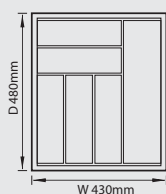
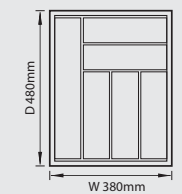
FORM CUTLERY TRAY



- ▶ Proper Organizing of Cutlery In Drawer Box
- ▶ Peace of Mind With Clean, Organised Drawer
- ▶ Available In 450MM, 500MM, 600MM And 900MM Width Size
- ▶ Finish: Gray

Code	MRP	Code	MRP
ICT450	633	ICT600	816
ICT500	690	ICT900	1,576

ACCESSORIES LIST

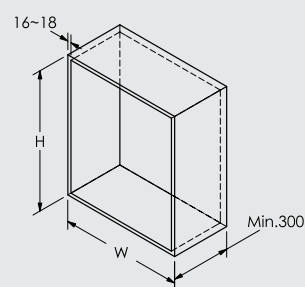


FORM GLASS TRAY PLATE TRAY

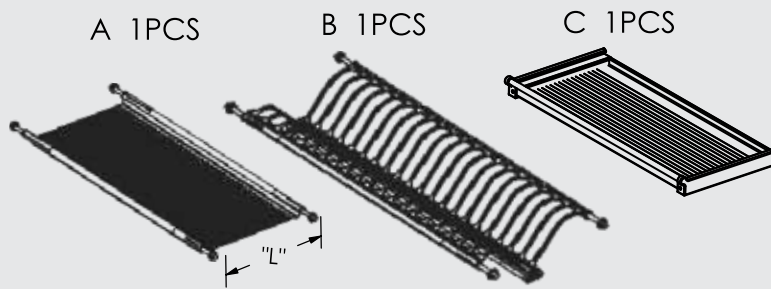


- ▶ All type of Utensils can be Accomodated
- ▶ Easy Drying Of Utensils in a hassle free and organized manner
- ▶ Available in 600mm and 900mm Width Size
- ▶ Drip Tray to avoid any water spillage with easy water removal and better results
- ▶ Finish: Stainless Steel

Code	MRP
IGTPT600	3,786
IGTPT900	5,482



ACCESSORIES LIST



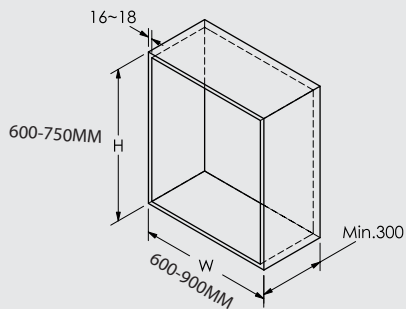
2. Specification & Cabinet Width:

280×565×65mm	600mm
280×865×65mm	900mm

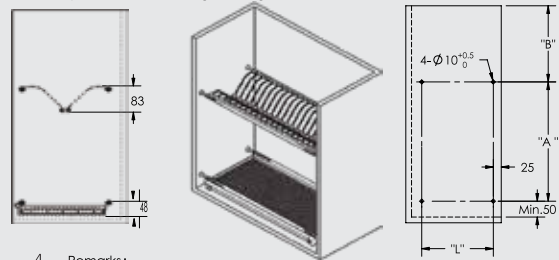
BOX DIMENSIONS & INSTALLATIONS

3. Fixing Step:

- (1) Choose a suitable cabinet according to the specification of each particular product (Please refer to below drawing)



- (2) Drill the side-board of the cabinet then fix accessory "A", "B" one by one as the following drawings.



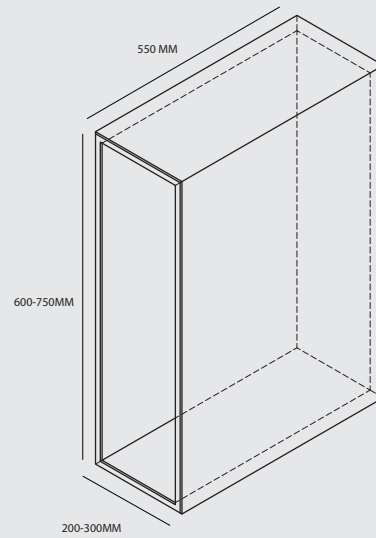
4. Remarks:

- Size "A" & Size "B" are based on height of cabinet. The following sizes are for your reference
 A=275mm * B=300mm (Both Sizes are for reference only)
 b. Depth of 4-∅10 holder is 7-9mm, please be careful that the side-board of cabinet should not be drilled through.

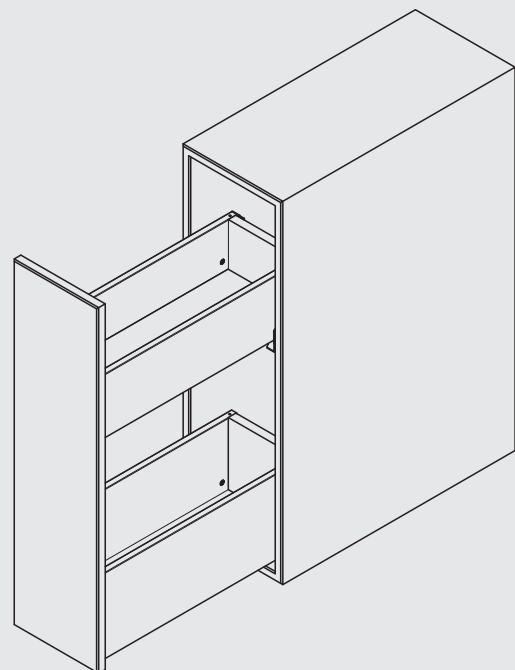
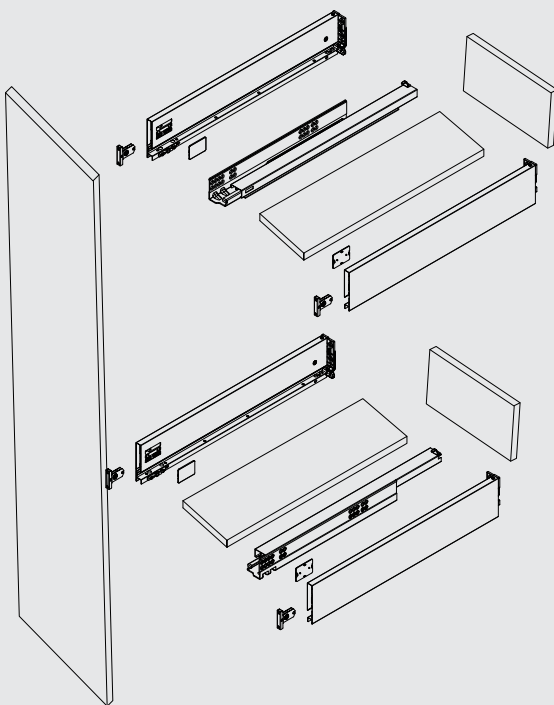
BOX BOTTLE PULL OUT



- ▶ Optimum Space Utilization with Ease of Bottle Storage
- ▶ Diagonally Mounted Undermount Channels
- ▶ Weight Capacity 40Kg
- ▶ Finish : Anthracite/ Grey / Mocha
- ▶ In built Soft Close Mechanism
- ▶ 3D Adjustment Possible



Code	MRP
IBOXBPO500GR	8,000
IBOXBPO500AN	8,000
IBOXBPO500MO	8,000





Dorset Industries Pvt. Ltd.

Corporate Office:

AIHP Horizon, 445, 1st Floor, Udyog Vihar Phase - V, Sector - 19
Gurugram, Haryana, 122008, INDIA

Phones: + 91-124-4567890, E-mail: response@dorsetindia.com

Website : www.dorsetindia.com

Conversation Centre :

AIHP Horizon, 445, 5th Floor, Udyog Vihar, Phase V, Sector-19, Gurugram, Haryana-122008

Branch Offices:

Bengaluru | Hyderabad | Kolkata | Mumbai | Pune

dorsëtcare  Call at: **1800 11 4448**

ALL RIGHT RESERVED

Reproduction or transmission in any form or by any means electronic or mechanical of this publication in part or whole is prohibited, including photocopy, recording or any other information storage and retrieval system, without prior permission from Dorset Industries Private Limited We reserve the right to make alteration to the model without prior notice . All sizes are finished as portrayed through photographs in this catalogue may vary from the actual product. Please check physical product before placing your order.