



Prime Floors



LOCK

SPC Floor Plank

Bedrooms, children's rooms, bathrooms, kitchens

Plank 



EXCEL[®]
Floorings



Excel brings you a new addition to the world of flooring – “**SPC Floor Plank**” which is extremely durable and completely water proof flooring option. With an engineered mix of stone and polymer and a unique locking technology, it is a new type of floor decoration product in India.

SPC Floor stands for “Stone Plastic Composite” or “Stone Polymer Composite”, a limestone core combined with PVC dust and a stabilizer. It is formaldehyde free, aesthetically appealing and can be easily installed on different floor base.

• LIVING ROOM

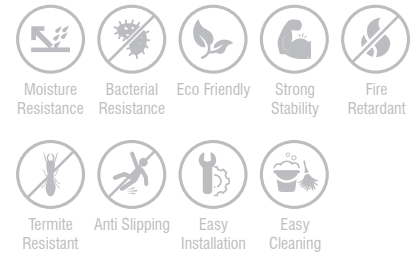
• KITCHEN


• BATHROOM

• COMMERCIAL & RESIDENTIAL AREAS

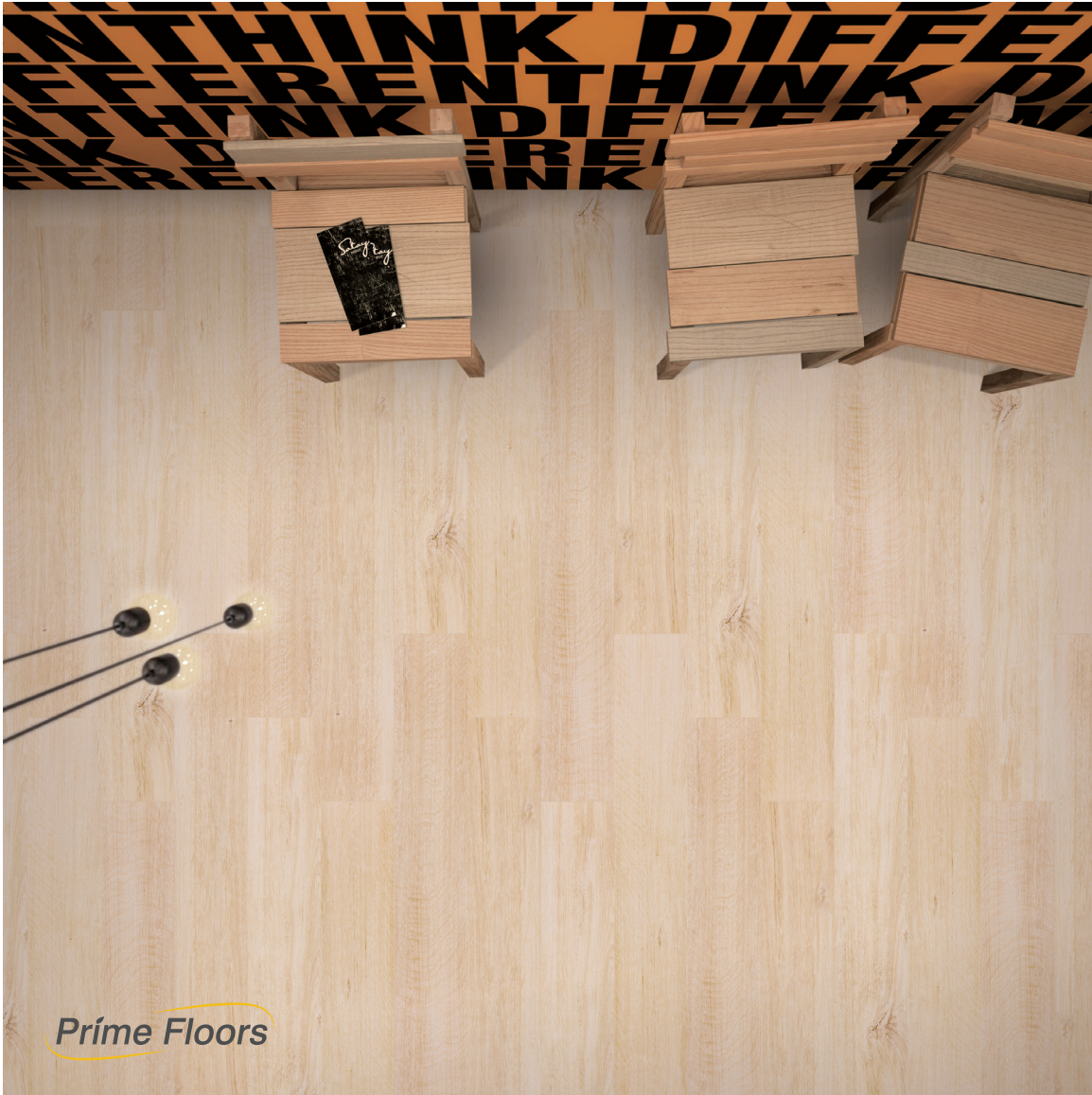


Príme Floors



 **SC8001**
Garner Bai Lamu

4mm thickness
7"x48"



-  Moisture Resistance
-  Bacterial Resistance
-  Eco Friendly
-  Strong Stability
-  Fire Retardant
-  Termite Resistant
-  Anti Slipping
-  Easy Installation
-  Easy Cleaning

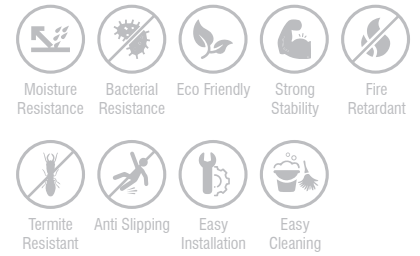


 **SC8002**
Austria Oak

4mm thickness
7"x48"



Prime Floors









 **SC8003**
Swedish Oak

4mm thickness
7"x48"



Príme Floors


-  Moisture Resistance
-  Bacterial Resistance
-  Eco Friendly
-  Strong Stability
-  Fire Retardant
-  Termite Resistant
-  Anti Slipping
-  Easy Installation
-  Easy Cleaning



 **SC8004**
Belgian Oak

4mm thickness
7"x48"









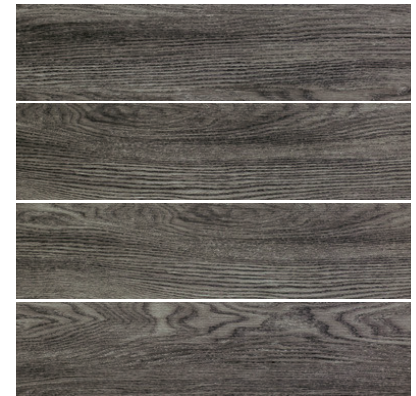
 **SC8005**
Serbia Oak

4mm thickness
7"x48"



Prime Floors

-  Moisture Resistance
-  Bacterial Resistance
-  Eco Friendly
-  Strong Stability
-  Fire Retardant
-  Termite Resistant
-  Anti Slipping
-  Easy Installation
-  Easy Cleaning

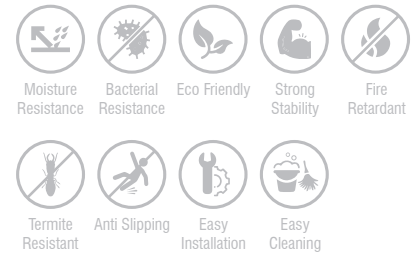


 **SC8006**
Iceland Oak

4mm thickness
7"x48"



Príme Floors



 **SC8007**
Sri Lankan Oak

4mm thickness
7"x48"



 **SC8008**
Macedonian Oak

4mm thickness
7"x48"



 **SC8009**

Bulgatian Oak

4mm thickness
7"x48"



Príme Floors












 **SC8010**
Finland Oak

4mm thickness
7"x48"



Príme Floors

-  Moisture Resistance
-  Bacterial Resistance
-  Eco Friendly
-  Strong Stability
-  Fire Retardant
-  Termite Resistant
-  Anti Slipping
-  Easy Installation
-  Easy Cleaning

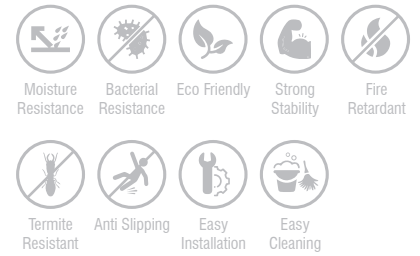


 **SC8011**
Monaco Oak

4mm thickness
7"x48"



Prime Floors

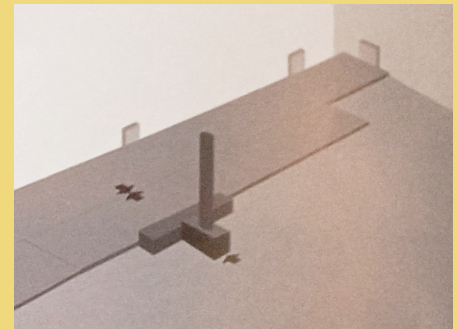
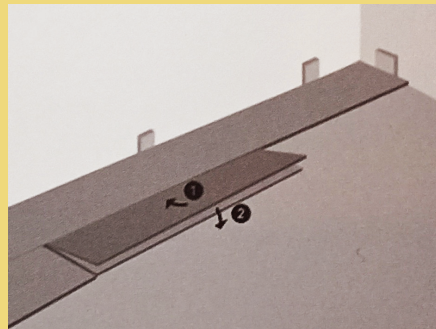
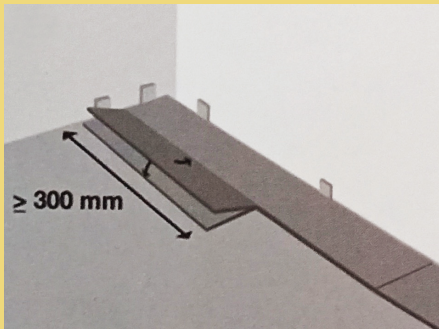
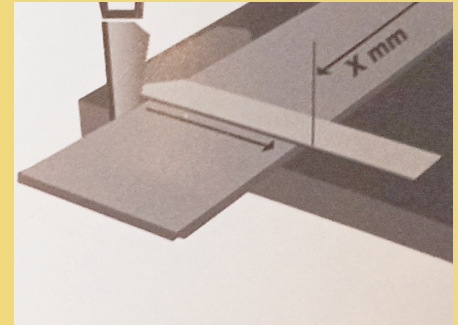
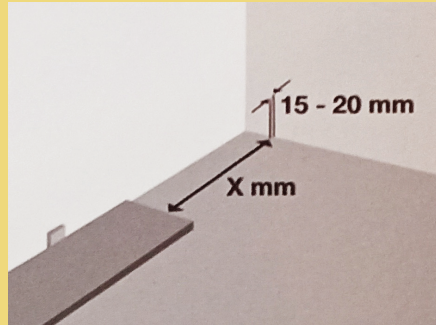
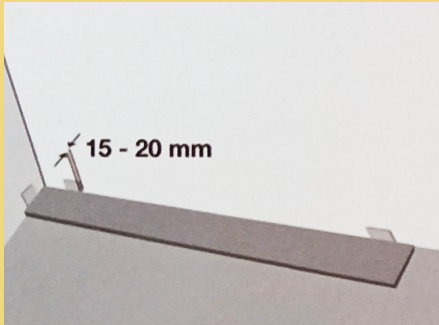


 **SC8012**
Italy Oak

4mm thickness
7"x48"

SPC INSTALLATION GUIDELINES

We recommend following these simple steps for an easy and quick installation.



1. Space must be clean, flat, dry and structurally sound.
2. Measure your space and select your starting wall.
3. Place tongue side in the starting corner.
4. Use several spacers to maintain 1/4" expansion along the gap.
5. Lock the short ends together to complete your first row. Cut the planks as needed to fit the space.
6. Start your second row. With a cut-off that is more than 8" long or start with the new plank.
7. Connect the long end into the groove end of the plank in the previous row at a low angle and drop into place.
8. Use your spacers to maintain expansion gap along walls.
9. Repeat steps to finish the room
10. Enjoy your new Prime Floor

SPC TECHNICAL DATA

CHARACTERISTICS	STANDARDS	VALUE
Wear Resistance	EN-660-2	≤1.5mm ³ (T)
Dimensional Stability	ISO23999	≤0.12% (80 C, 6hrs)
Curling After Exposure to Heat	ISO23999	≤0.1mm (80 C, 6hrs)
Effect of Acastor Chair	ISO4918	No Delamination (25000 Cycles)
Residual Indentation	EN433	≤0.1mm
Burning Cigarette Test	EN1399 (Method B)	No Visible Change
Resistance to Staining	ISO26987	No Residual Staining
Reaction to fire	EN13501-1	Bf1-s1
Slip Resistance	EN13893	DS
SVHC	SGS	Pass
Content of PCP (pentachlorophenol)	EN12673	None
Formldehyde Emission	WN717-1	None
CAPSIA Section 108-Phthalates	CPSC	None
Color Fastness to Light	ISO 105-B02	≥6
Migration F feavy metals	EN71-3	None
VOC	French Label	A+
Chemical Resistance	EN 423	PASS
Click Tension	Factory Test Method	300N/5CM

Prime Floors

