



**LOCKS & ARCHITECTURAL FITTINGS  
AND SYSTEMS**

FOR A SAFER, SMARTER LIVING EXPERIENCE.

The background of the advertisement is a collage of images related to glass hardware. The top half shows a close-up of a glass railing system with metal spigots and cables. The bottom left shows a detailed view of a glass hinge. The bottom right shows a glass door handle with a metal plate that has the Godrej logo on it. The entire background has a blue color scheme.

# GLASS FITTINGS AND SYSTEMS

GLASS HARDWARE THAT STANDS FOR  
QUALITY AS WELL AS DURABILITY.



# Index



---

Patch Fittings 03

---

Floor Spring 05

---

Pull Handles 09

---

Shower Cubicle Fittings 11

---

Railing-Balustrades 17

---

Spider Fittings 20

---

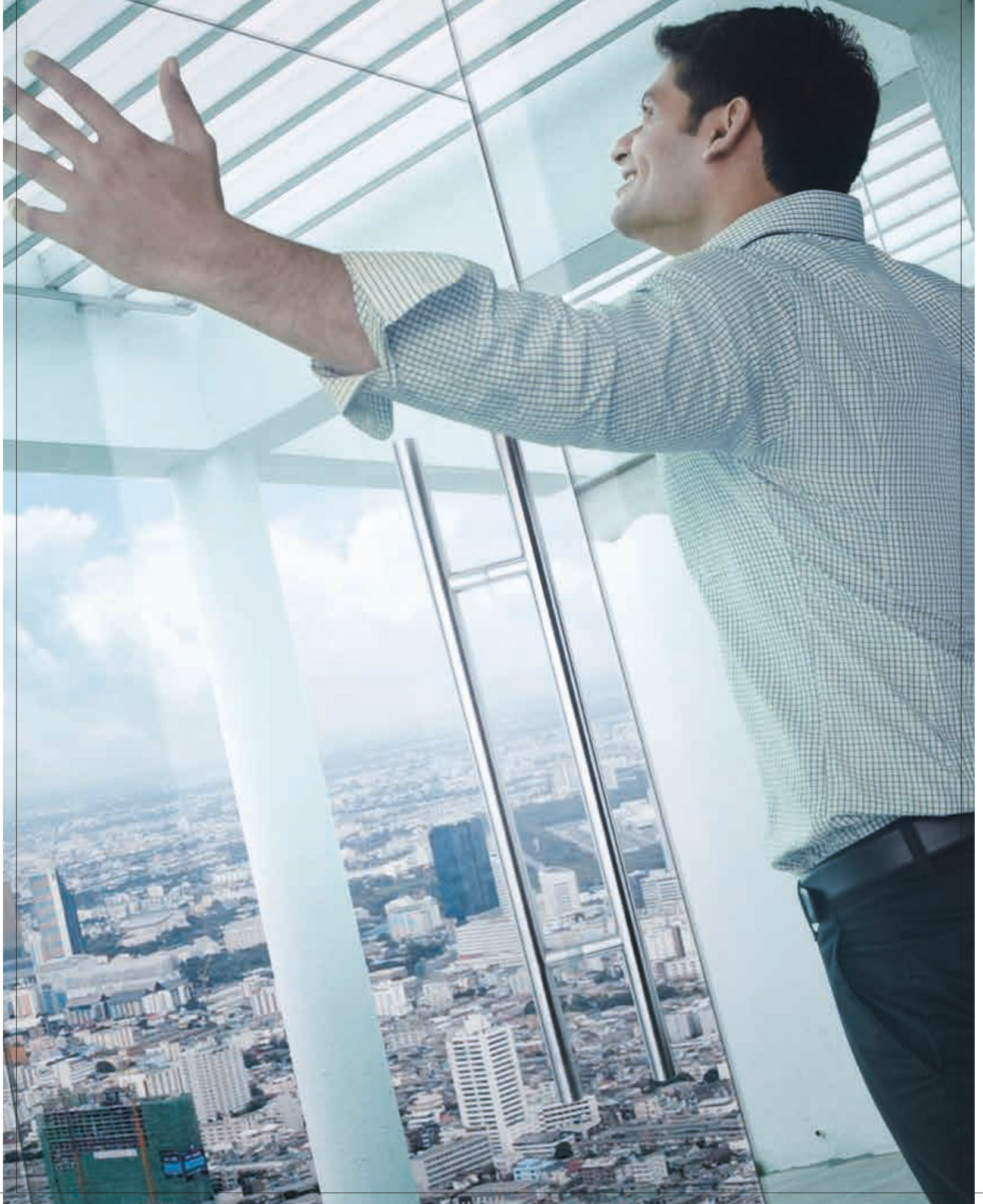
Automatic Door 25

---

Advantis 27

---

# ● ● PATCH FITTINGS



• Top Patch

Product code > 7757



• Bottom Patch

Product code > 7758



• Bottom Lock Patch

Product code > 7759



• L-Arm Patch with Pivot

Product code > 7760



• Over Panel Patch with Pivot

Product code > 7761



• Top Patch with Pivot

Product code > 7762



• L-Connect Patch

Product code > 7763



• Side Lock Patch

Product code > 7764



• Side Lock Adaptor

Product code > 7765



• L-Arm Patch with Pivot and Fin-L/R

Product code > 7769 / 7768



• Double Pivot Patch with Fin

Product code > 7770



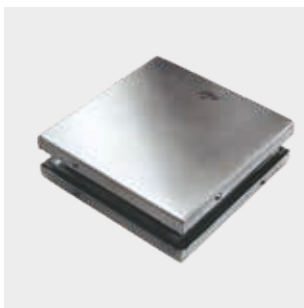
• Pivot Plate

Product code > 7771



• Square Connect Patch

Product code > 7772



• Connector Patch GCP 640

Product code > 7773



• Side Connector Patch

Product code > 7774



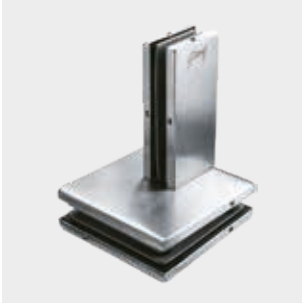
• Rectangular Connect Patch

Product code > 7775



• **Fin Connect Patch**

Product code > 7776



• **Top Rail**

Product code > 7777



• **Bottom Rail**

Product code > 7778



• **Glass to Wall Lock - Round**

Product code > 7779



• **Glass to Glass Lock - Round type**

Product code > 7780



• **Kurve Top Patch**

Product code > 5751



• **Kurve Bottom Patch**

Product code > 5752



• **Kurve Bottom Patch Lock**

Product code > 5756



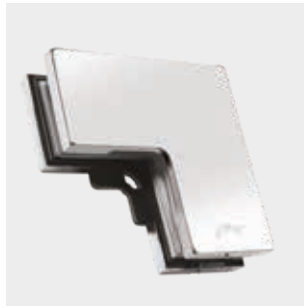
• **Kurve L-Arm Patch with Pivot**

Product code > 5753



• **Kurve L Connect Patch with Stopper**

Product code > 5755



● ● FLOOR SPRING



• Floor Spring D60



Product code	7477
Maximum door weight	60 kg
Maximum door width	900 mm
Dimensions (LxWxH)	260 x 106 x 44.5

• Floor Spring D80



Product code	8293
Maximum door weight	80 kg
Maximum door width	950 mm
Dimensions (LxWxH)	256 x 105 x 50

• Floor Spring B710



Product code	8341
Maximum door weight	80 kg
Maximum door width	950 mm
Dimensions (LxWxH)	274 x 97 x 40

• Floor Spring D100



Product code	8294
Maximum door weight	100 kg
Maximum door width	1050 mm
Dimensions (LxWxH)	308 x 108 x 40

• Floor Spring B803



Product code	7886
Maximum door weight	80 kg
Maximum door width	1000 mm
Dimensions (LxWxH)	307 x 108 x 40

• Floor Spring B804



Product code	7887
Maximum door weight	100 kg
Maximum door width	1100 mm
Dimensions (LxWxH)	307 x 108 x 40

• Floor Spring DCF-80



Product code	5749
Maximum door weight	80 kg
Maximum door width	mm
Dimensions (LxWxH)	308 x 109 x 43.5

• Super Heavy Duty Floor Spring D120



Product code	7381
Maximum door weight	120 kg
Maximum door width	1250 mm
Dimensions (LxWxH)	308 x 108 x 40

• Super Heavy Duty Floor Spring D150



Product code	7382
Maximum door weight	150 kg
Maximum door width	1300 mm
Dimensions (LxWxH)	308 x 108 x 40

• Floor Spring D-200



Product code	5748
Maximum door weight	200 kg
Maximum door width	1400 mm
Dimensions (LxWxH)	341 x 78 x 60

• Floor Spring GFS750



Product code	5746
Maximum door weight	150 kg
Maximum door width	1100 mm
Dimensions (LxWxH)	276 X 82 X 50

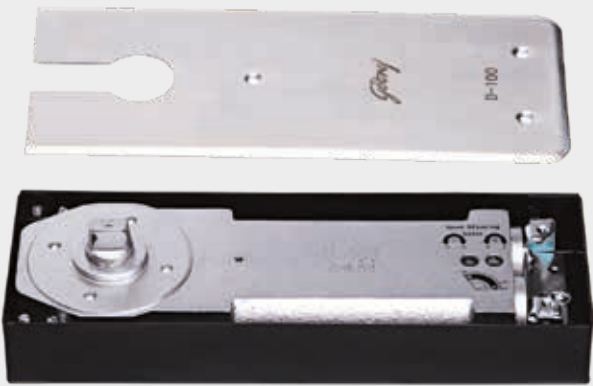


# GLASS DOOR COMBO PACKAGES



100 kg Floor Spring Pack

## FLOOR SPRING 100 Kg



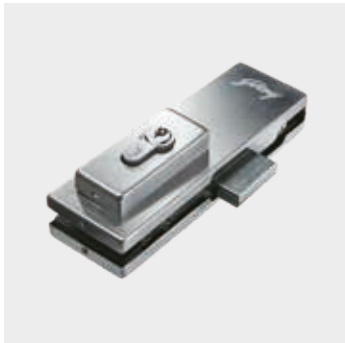
TOP PATCH



BOTTOM PATCH



PIVOT PLATE



LOCK PATCH

- 4370 D60 - Floor Spring Combo without Lock Patch
- 4371 D60 - Floor Spring Combo with Lock Patch
- 5745 D80 - Floor Spring Combo without Lock Patch
- 5652 D80 - Floor Spring Combo with Lock
- 4607 D100 - Floor Spring Combo without Lock Patch
- 4608 D100 - Floor Spring Combo with Lock Patch

# ● ● HYDRAULIC DOOR PATCH



## Features

- No digging and cutting of floor required
- Adjustable closing and latching speed
- Mechanical hold open at 90 degrees
- Thermostable hydraulic fluid to ensure smooth operation in any climatic condition
- SS304 cover plate for hydraulic patch
- UL certified hydraulic patch with 100000 life cycle tested

## Benefits

- Provides quick and easy installation. Saves time.
- Provides ease of closing as per user's requirement
- Ensures complete opening of door without closing
- Smooth and uninterrupted functioning in any climatic conditions (-10°C to +50°C)
- Provides high corrosion resistance
- Tested to world standards ensuring better product functionality

Product size	182 x 80 x 42 mm
Maximum door weight	100 kg
Power size	3
Mechanical hold open	90°
Maximum door opening angle	170°
Adjustable closing action	170° to 15°
Adjustable latching speed	15° to 0°

Product code	4566
UNSPSC Code	40141799SD00243
Description	Hydraulic patch-100kg
MRP	11000
Std. packaging	02

# PULL HANDLE (SS304)

## H-Type Pull Handle (SS304)

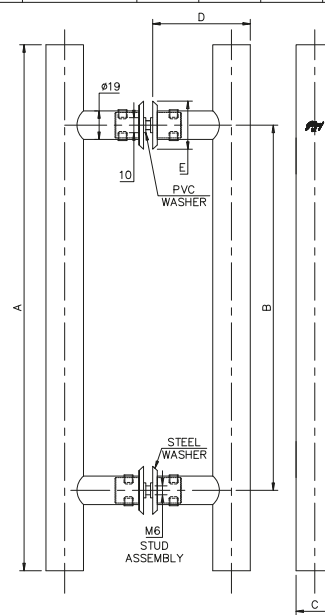
Product code **7271**

Product code **7272**



## H-TYPE HANDLES

SIZE (mm)	PRODUCT CODE	A	B	C	D	E
300 X 25	7267	300	212	25	58	29
325 X 25	7268	325	240	25	58	29
425 X 25	7269	425	375	25	58	29
600 X 25	7270	600	455	25	58	29
457 X 32	7271	457	305	32	70	36
600 X 32	7272	600	480	32	70	36
840 X 32	7273	840	480	32	70	36
900 X 32	7274	900	480	32	70	36
425 X 25	7535	425	322	25	63	28



## D-Type Pull Handle

Product code **7261**

Product code **7262**

Product code **7263**



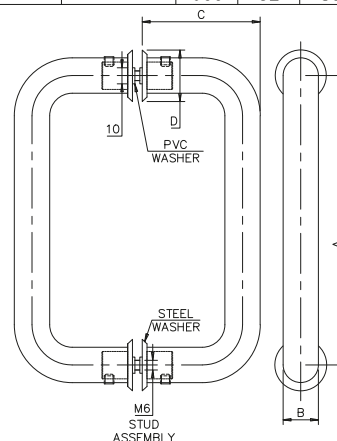
Product code **7264**

Product code **7265**

Product code **7266**

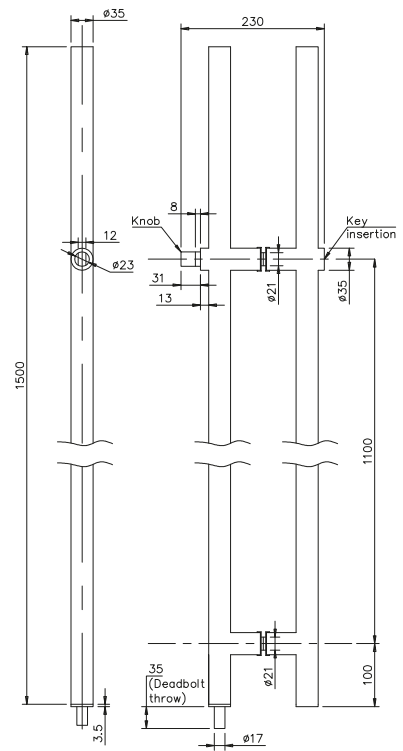
## D-TYPE HANDLES

SIZE (mm)	PRODUCT CODE	A	B	C	D
200 X 22	7261	200	22	80	29
300 X 25	7262	300	25	80	29
350 X 25	7263	350	25	80	29
400 X 25	7264	400	25	80	29
450 X 25	7265	450	25	80	29
600 X 32	7266	600	32	80	36



• Pull Handle With Lock

Product code 7781



## ● ● SHOWER CUBICLE FITTINGS



• • **Hinges (SS304)**

• **Wall to Glass Hinge**  
 Product code > 7601  
 Base Material > SS304



• **Glass to Glass Hinge 90 Degrees**  
 Product code > 7602  
 Base Material > SS304



• **Glass to Glass Hinge 135 Degrees**  
 Product code > 7603  
 Base Material > SS304



• **Glass to Glass Hinge 180 Degrees**  
 Product code > 7604  
 Base Material > SS304



• **Kurve Wall to Glass Hinge**  
 Product code > 5757  
 Base Material > SS304



• **Kurve Offset Wall to Glass Hinge**  
 Product code > 5758  
 Base Material > SS304



• **Kurve Glass to Glass Hinge 90 Degrees**  
 Product code > 5765  
 Base Material > SS304



• **Kurve Glass to Glass Hinge 135 Degrees**  
 Product code > 5764  
 Base Material > SS304



• **Kurve Glass to Glass Hinge 180 Degrees**  
 Product code > 5759  
 Base Material > SS304



• **Kurve Wall to Glass Bracket**  
 Product code > 5766  
 Base Material > SS304



• • **Handle Satin Finish**

• **Shower Cubicle Handle**  
 Product code > 3372



• **Shower Cubicle Handle**  
 Product code > 3373



• **Shower Cubicle Handle**  
 Product code > 3680



• **Shower Cubicle Handle-01**  
 Product code > 5538



## • Clips (SS304)

### • Wall to Glass Clip

Product code 7605

Base Material SS304



### • Wall to Glass Clip 90 Degrees

Product code 7606

Base Material SS304



### • Wall to Glass Clip 180 Degrees

Product code 7607

Base Material SS304



### • Glass to Glass Clip 180 Degrees

Product code 7610

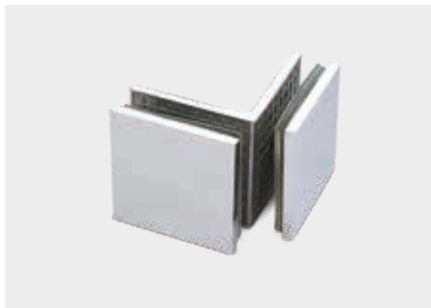
Base Material SS304



### • Glass to Glass Clip 90 Degrees

Product code 7608

Base Material SS304



### • Glass to Glass Clip 135 Degrees

Product code 7609

Base Material SS304



### • Kurve Wall to Glass Clip

Product code 5767

Base Material SS304



### • Kurve G to G Clip 90 Degrees

Product code 5769

Base Material SS304



### • Kurve G to G Clip 135 Degrees

Product code 5768

Base Material SS304



### • Kurve W to G Clip 90 Degrees

Product code 5770

Base Material SS304



### • Kurve W to G Clip 180 Degrees

Product code 5771

Base Material SS304



• • Shower Header (Brass with Chrome Finish)

• Shower Header Clip Wall to Bar

Product code 7615

Base Material SS304



• Shower Header Centre Clip

Product code 7616

Base Material SS304



• Shower Header Corner Clip

Product code 7617

Base Material SS304



• Two Shower Bar Connector

Product code 7618



• Three Shower Bar Connector

Product code 7619



• • Shower Header (Brass with Chrome Finish)

• Magnetic Seals - 90 Degrees

Product code 7333 (8 mm)

Product code 7334 (10 mm)

Product code 7335 (12 mm)



• Magnetic Seals - 135 Degrees

Product code 7330 (8 mm)

Product code 7331 (10 mm)

Product code 7332 (12 mm)



• Magnetic Seals - 180 Degrees

Product code 7327 (8 mm)

Product code 7328 (10 mm)

Product code 7329 (12 mm)



• One Side Seal

Product code 7336 (8 mm)

Product code 7337 (10 mm)

Product code 7338 (12 mm)



• Central 180 Degrees Weather Seals

Product code 7339 (8 mm)

Product code 7340 (10 mm)

Product code 7341 (12 mm)



• Water Deflector Seal

Product code 7342 (8 mm)

Product code 7343 (10 mm)

Product code 7344 (12 mm)





# MANUAL SLIDING SYSTEM



## Sliding System

### Glass Sliding Door System GSS144 - 60 kg



#### Features

- SS 304 glass holding point for high corrosion resistance
- Height adjustable glass holder point
- Roller configuration for even distribution of load
- Independently connected rollers to prevent damage to track and rollers
- Suitable for 8 mm to 12 mm glass
- Suitable for door weight 60 kg
- 50,000 cycles tested

Product code 5787

### Glass Sliding Door System GSS145 - 80 kg



#### Features

- Four fibre reinforced plastic rollers of 30 mm diameter
- SS 304 glass holding point for high corrosion resistance
- Height adjustable glass holder point
- Roller configuration for even distribution of load
- Independently connected rollers to prevent damage to track and rollers
- Suitable for 8 mm to 12 mm glass
- Suitable for door weight 80 kg
- 50,000 cycles tested

Product code 5788

## Sliding Door track

### Sliding Door track T1



Product code 5789

#### Features

- Single door track
- Wall/Ceiling/Glass mountable

#### Wall to Track connector

Product Code: 5606

### Double Sliding Door track T2



Product code 5790

#### Features

- Suitable for double door
- For ceiling mounting

### Double Sliding Door track with fix glass- T3



Product code 5791

#### Features

- Suitable for door and fixed glass
- For ceiling mounting

## Sliding Door handle (SS304)

### Sliding Door handle-01



Product code 5450

#### Feature

- SS 304 material for high corrosion resistance

### Sliding Door handle-02



Product code 5452

#### Feature

- SS 304 material for high corrosion resistance

### Sliding Door handle-03

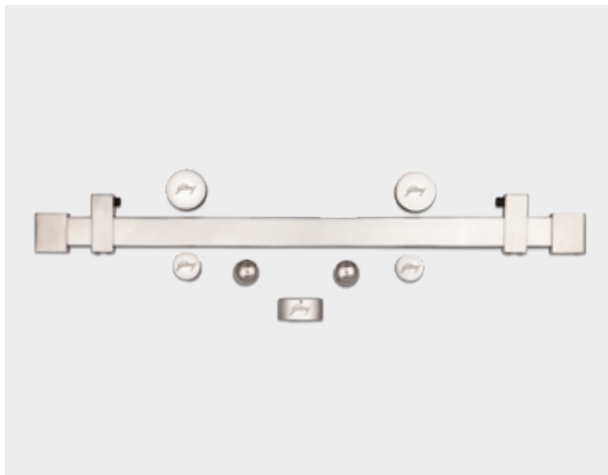


Product code 5753

#### Features

- SS 304 material for high corrosion resistance

# • SHOWER SLIDING KIT SS304

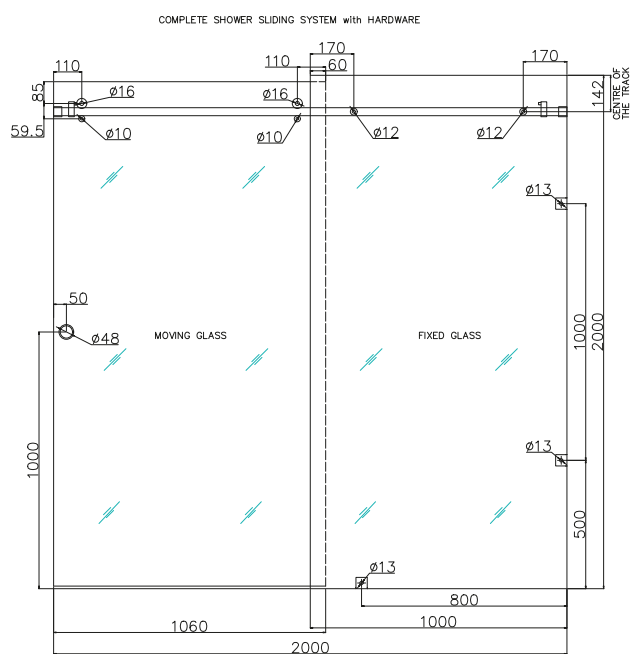


## • Shower sliding kit

Product code 5792

## • Shower sliding track

Product code 5793



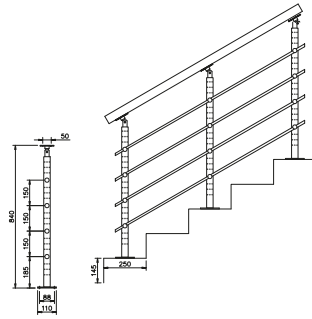
## Features

- Enhances esthetic appeal of shower cubicle with clean looks for sliding system
- All parts of the sliding system made of stainless steel 304 (SS304) material for rust resistance
- Glossy finish to match with other shower cubicle accessories
- Easy to accommodate 8 mm to 12 mm of glass thickness with a weight capacity of 65 kg.
- Durability tested for 50000 life cycles
- Shower sliding track has a length of 2 metres

● ● RAILING



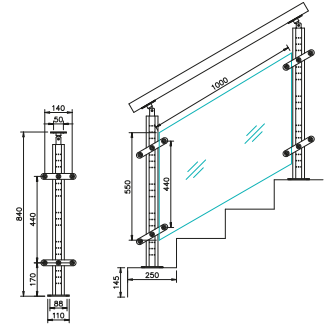
• **SS Railing with 4 Wire Locators**



Product code **9381**

Base Material **SS304**

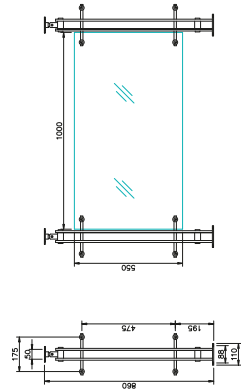
• **SS Railing with 2 Glass Holders**



Product code **3013**

Base Material **SS304**

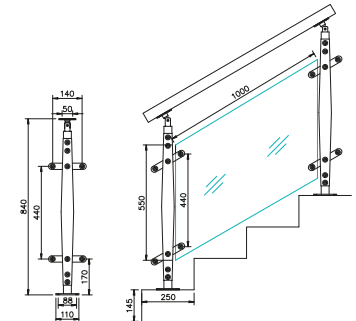
• **SS Railing with 2 Glass Holders**



Product code **9382**

Base Material **SS304**

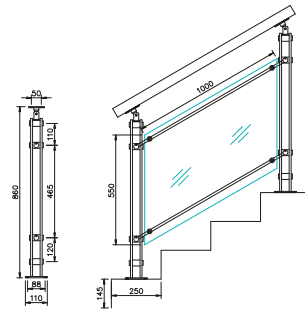
• **SS Railing with 2 Glass Holders**



Product code **9383**

Base Material **SS304**

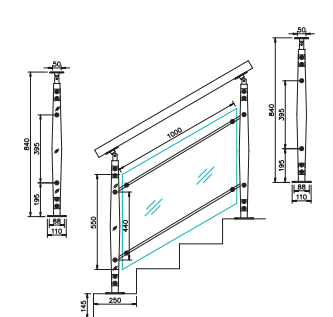
• **SS Railing with 2 Wire Locators**



Product code **9384**

Base Material **SS304**

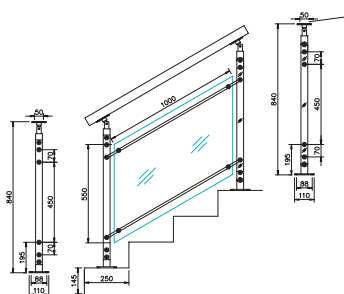
• **Wooden Railing with 2 Inbound Wire Locators**



Product code **9385**

Base Material **SS304**

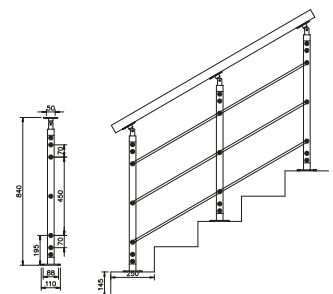
• **Orange Wooden Railing with 2 Inbound Wire Locators**



Product code **9386**

Base Material **SS304**

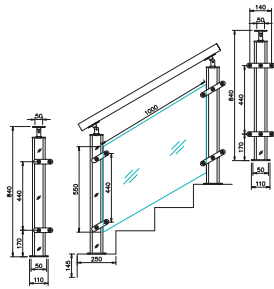
• **Black Wooden Railing with 3 Inbound Wire Locators**



Product code **9387**

Base Material **SS304**

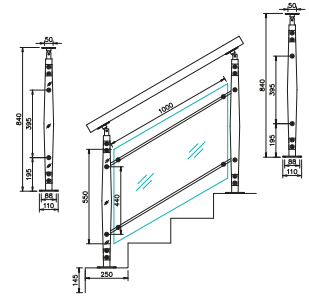
• **Wooden Railing with 2 Glass Holders**



Product code **9388**

Base Material **SS304**

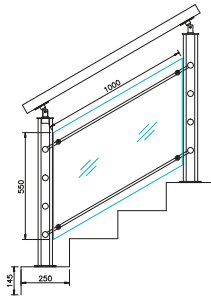
• **Blue Acrylic Oblong Railing with 2 Inbound Wire Locators**



Product code **9392**

Base Material **SS304**

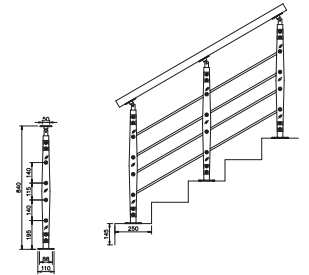
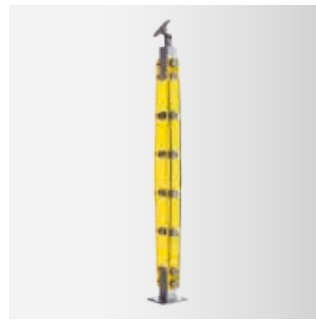
• **Wooden Railing with 4 Wire Locators**



Product code **9389**

Base Material **SS304**

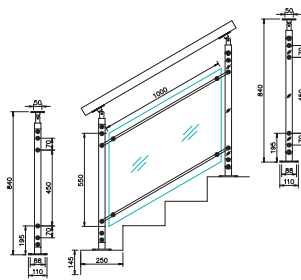
• **Yellow Acrylic Railing with 4 Inbound Wire Locators**



Product code **9391**

Base Material **SS304**

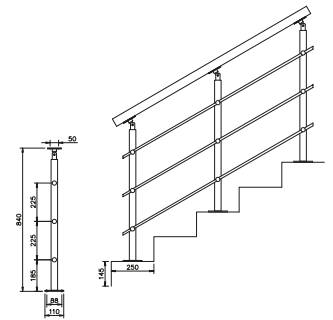
• **Blue Acrylic Railing with 2 Inbound Wire Locators**



Product code **9390**

Base Material **SS304**

• **SS Railing with 3 Wire Locators**



Product code **9703**

Base Material **SS304**

- **SPIDER FITTINGS**



• **2 Way Spider with Fin - 200**



Product code **5539**

Product code	Finish	Base Material
5539	Matt	SS316
5550	Gloss	SS316

• **1 Way Spider for Ceiling/Wall - 200**



Product code **5540**

Product code	Finish	Base Material
5540	Matt	SS316
5551	Gloss	SS316

• **4 Way Spider with Fin - 200**



Product code **5543**

Product code	Finish	Base Material
5543	Matt	SS316
5554	Gloss	SS316

• **2 Way Spider for Ceiling/Wall - 200**



Product code **5544**

Product code	Finish	Base Material
5544	Matt	SS316
5555	Gloss	SS316

• **4 Way Spider without Fin - 200**



Product code **5545**

Product code	Finish	Base Material
5545	Matt	SS316
5556	Gloss	SS316

• **2 Way Spider without Fin 90 Deg - 200**



Product code **5547**

Product code	Finish	Base Material
5547	Matt	SS316
5558	Gloss	SS316

• **2 Way Spider without Fin 180 Deg - 200**



Product code **5548**

Product code	Finish	Base Material
5548	Matt	SS316
5559	Gloss	SS316

• **1 Way Spider without Fin - 200**



Product code **5549**

Product code	Finish	Base Material
5549	Matt	SS316
5560	Gloss	SS316

• **4 Way Spider without Fin - 220**



Product code **5561**

Product code	Finish	Base Material
5561	Matt	SS316
5566	Gloss	SS316

• **2 Way Spider without Fin 90 Deg - 220**



Product code **5563**

Product code	Finish	Base Material
5563	Matt	SS316
5568	Gloss	SS316

• **2 Way Spider without Fin 180 Deg - 220**



Product code **5564**

Product code	Finish	Base Material
5564	Matt	SS316
5569	Gloss	SS316

• **1 Way Spider without Fin - 220**



Product code **5565**

Product code	Finish	Base Material
5565	Matt	SS316
5570	Gloss	SS316

• **Articulate Bolt**



Product code **5571**

Product code	Finish	Base Material
5571	Matt	SS316
5576	Gloss	SS316

• **Fixed Bolt (Counter Sunk Head)**



Product code **5572**

Product code	Finish	Base Material
5572	Matt	SS316
5577	Gloss	SS316

• **Fixed Bolt (Flat Head)**



Product code **5573**

Product code	Finish	Base Material
5573	Matt	SS316
5578	Gloss	SS316

• **Holder for w/o Fin Spider**



Product code **5574**

Product code	Finish	Base Material
5574	Matt	SS304
5579	Gloss	SS304



• **Holder for w/o Fin Spider (SS316)**



Product code **5575**

Product code	Finish	Base Material
5575	Matt	SS316
5580	Gloss	SS316

• **Splice Plate 200 mm**



Product code **5581**

Product code	Finish	Base Material
5581	Matt	SS304
5586	Gloss	SS304

• **Splice Plate 250 mm**



Product code **5582**

Product code	Finish	Base Material
5582	Matt	SS304
5587	Gloss	SS304

• **Splice Plate 300 mm**



Product code **5583**

Product code	Finish	Base Material
5583	Matt	SS304
5588	Gloss	SS304

• **Splice Plate 350 mm**



Product code **5584**

Product code	Finish	Base Material
5584	Matt	SS304
5589	Gloss	SS304

• **Splice Plate 400 mm**



Product code **5585**

Product code	Finish	Base Material
5585	Matt	SS304
5590	Gloss	SS304

• **Fin Plate 200 mm**



Product code **5591**

Product code	Finish	Base Material
5591	Matt	SS304
5596	Gloss	SS304

• **Fin Plate 250 mm**



Product code **5592**

Product code	Finish	Base Material
5592	Matt	SS304
5597	Gloss	SS304

• **Fin Plate 300 mm**



Product code **5593**

Product code	Finish	Base Material
5593	Matt	SS304
5598	Gloss	SS304

• **Fin Plate 350 mm**



Product code **5594**

Product code	Finish	Base Material
5594	Matt	SS304
5599	Gloss	SS304

• **Fin Plate 400 mm**



Product code **5595**

Product code	Finish	Base Material
00	Matt	SS304
00	Gloss	SS304

# AUTOMATIC DOOR

NEW  
PRODUCT



• • **Door Automatic**



• • **Door Automatic Internal Components**

• **Aluminium Profile (Rail & Cover)**



• **Motor**



• **Controller**



• **Timing Belt**



• **Hanger Roller**



• **Pulley**



• **On/Off Switch**



• **Guide Roller**



Product code	Length of Operator	Max door weight	Clear Passage Length
9013	2 m	130 kg	950 mm
5089	4.2 m	130 kg X 1 & 120 kg X 2	2000 mm
4278	5.2 m	130 kg X 1 & 120 kg X 2	2500 mm
4135	6.2 m	130 kg X 1 & 120 kg X 2	3000 mm

• • **Door Automatic accessories**

• **Safety Sensor**



Product code > 9009

• **Upper Sensor**



Product code > 4079

• **Auto door clamp**



Product code > 5090

Product code > 4316

• • **ADVANTIS**





• **Advantis Crystal**

Product code **5000**



**FIRE SENSOR\*:**  
Automatically unlocks the door in case of a fire.



**AUTOLOCKING:**  
Eliminates the hassle of manually locking the door.



**RFID CARD:**  
Register up to 100 cards for multiple user access.



**MECHANICAL KEY:**  
In case of an emergency, the lock can be opened with a mechanical key.



**ACCESS MODE:**  
Password: 4 to 12 digits for enhanced password strength (Register up to 4 unique passwords).



**LOW BATTERY INDICATION:**  
A beep sound alerts you in advance to replace the battery.



**COMPATIBILITY:**  
The lock is compatible with the remote and video door phone for ease of operation.



**MULTI-LEVEL VOLUME CONTROL:**  
Adjustable volume with mute function for silent operation.



**BREAK-IN DAMAGE ALARM:**  
Alarm goes off if a wrong password is entered 5 times in a row.



**ADJUSTABLE SPYCODE:**  
Random numbers can be added before or after the password in the presence of strangers, thereby maintaining secrecy.



**EMERGENCY BATTERY:**  
In case the battery is completely discharged, an external 9V battery can be used to operate the lock.

• **RFID Tag**



• **Remote**



Product code **4986**

• **VDP Module**



Product code **5106**

• **Strike Box**



Product code **4998**





FOR A SAFER, SMARTER LIVING EXPERIENCE.

**Godrej & Boyce Mfg. Co. Ltd.**

Locking Solutions and Systems Division, Plant 18 A,  
Pirojshanagar, Vikhroli, Mumbai – 400079, India.

Tel: (022) 6796 4890

Email: [locksmkt@godrej.com](mailto:locksmkt@godrej.com)

---

Toll Free No. 1800 209 4543 | [GodrejLockingSolutionsandSystems](https://www.godrejlocks.com)  [GodrejLocksS](https://twitter.com/GodrejLocksS)  [godrejlocks](https://www.instagram.com/godrejlocks)